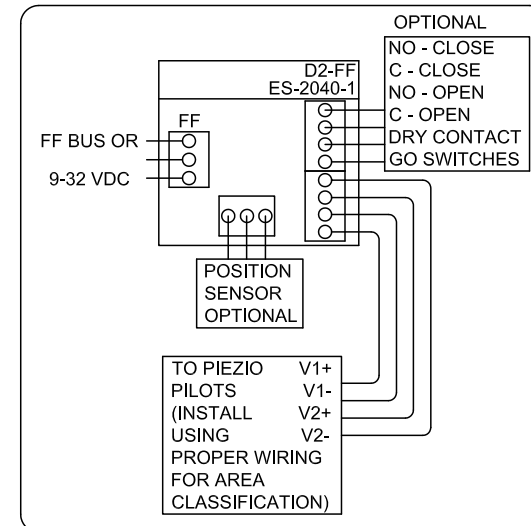
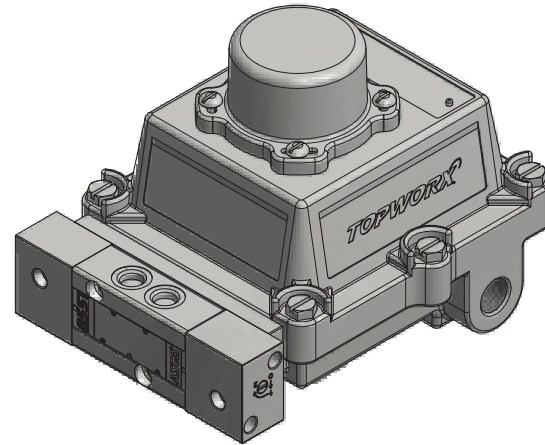
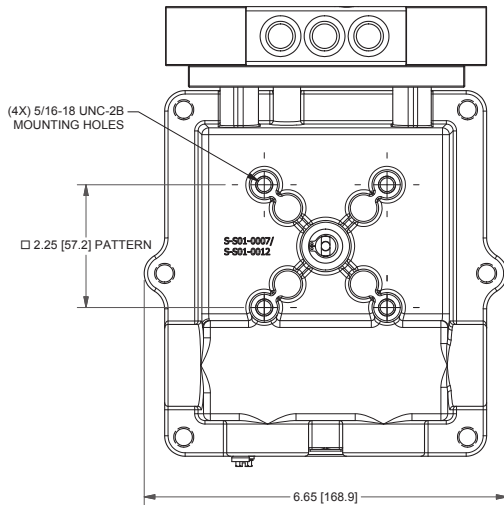
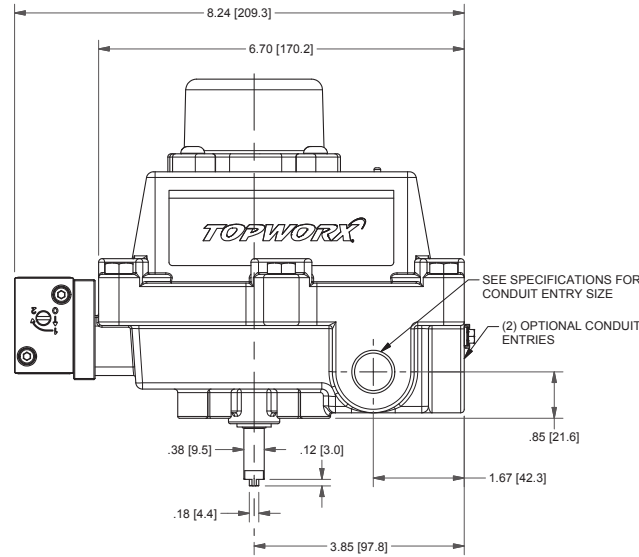
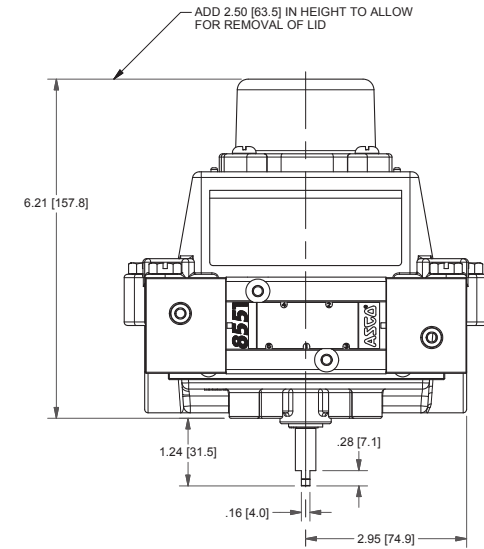


DXP-FF1BNEBRA22

Switchbox DXP and DXS

| | |
|------------------------|--|
| Enclosure | Tropicalized aluminum |
| Bus/Sensor | Foundation Fieldbus w/ 0-10K potentiometer |
| Area Classification | Explosion proof / flame proof |
| Visual Display | 90° Black OPEN, Yellow CLOSED |
| Shaft | NAMUR 304 stainless steel |
| Conduit Entries | (2) 3/4" NPT |
| O-Rings | Buna-N |
| Pilot | (2) piezo pilots, fail last position |
| Spool Valve | Aluminum hard coat anodized |
| Valve Cv | 0.86 Cv (1/4" NPT Ports) |
| Manual Override | Dual pushbutton momentary/latching |
| Regional Certification | No regional certification |
| N Switch | No N Switch |



CI I Div 1, Grps C-D, Type 4X
 Ex d IIB + H₂ T6 Gb, IP65
 -50 C ≤ Ta ≤ 60 C
 SIR A 07ATEX1273X IECEx SIR 07.0093X
 BUS: 9-32VDC, 20mA

Telemetering Equipment for use in Hazardous Locations
WARNING: Disconnect the power before servicing. Keep tightly closed during operation. Must be known to be non-hazardous area before servicing. Clean only with damp cloth.
AVERTISSEMENT: Débranchez l'alimentation avant l'entretien. Conserver hermétiquement fermé pendant le fonctionnement. Doivent être connus pour être des zones non dangereuses avant l'entretien.

TopWorx
 3300 Fern Valley Road
 Louisville, KY 40213 USA
 www.topworx.com

Model #:

Serial #:

