

MODEL NUMBER

DXP-FF11NEBRA2

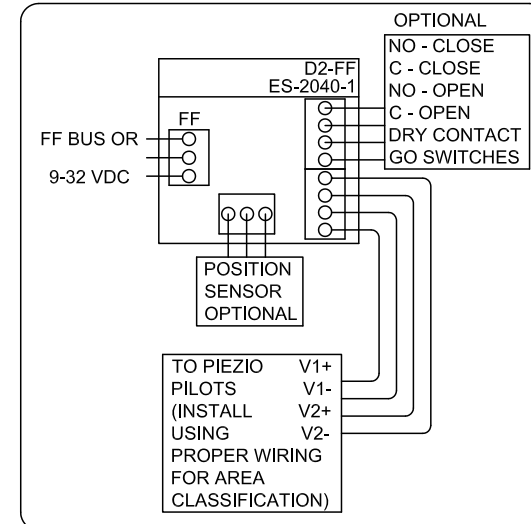
PRODUCT LINE

Switchbox DXP and DXS

SPECIFICATIONS

| | |
|------------------------|--|
| Enclosure | Tropicalized aluminum |
| Bus/Sensor | Foundation Fieldbus w/ 0-10K potentiometer |
| Area Classification | Explosion proof / flame proof |
| Visual Display | 3 way, 90° L Port |
| Shaft | NAMUR 304 stainless steel |
| Conduit Entries | (2) 3/4" NPT |
| O-Rings | Buna-N |
| Pilot | (2) piezo pilots, fail last position |
| Spool Valve | Aluminum hard coat anodized |
| Valve Cv | 0.86 Cv (1/4" NPT Ports) |
| Manual Override | No manual override |
| Regional Certification | No regional certification |
| N Switch | No N Switch |

WIRING DIAGRAM



NAMEPLATE



CI I Div 1, Grps C-D, Type 4X
Ex d IIB + H₂ T6 Gb, IP65
-50 C ≤ Ta ≤ 60 C
SIRA 07ATEX1273X IECEX SIR 07.0093X
BUS: 9-32VDC, 20mA

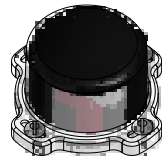
Telemetering Equipment for use in Hazardous Locations
WARNING: Disconnect the power before servicing. Keep tightly closed during operation. Must be known to be non-hazardous area before servicing. Clean only with damp cloth.
AVERTISSEMENT: Débranchez l'alimentation avant l'entretien. Conserver hermétiquement fermé pendant le fonctionnement. Doivent être connus pour être des zones non dangereuses avant l'entretien.

TopWorx
3300 Fern Valley Road
Louisville, KY 40213 USA
www.topworx.com

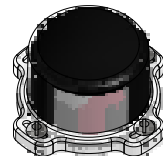
Model #:

Serial #:

DIVERT LEFT



DIVERT RIGHT



Electrol

www.electrolsupply.com
sales@electrolsupply.com
1-800-663-6576