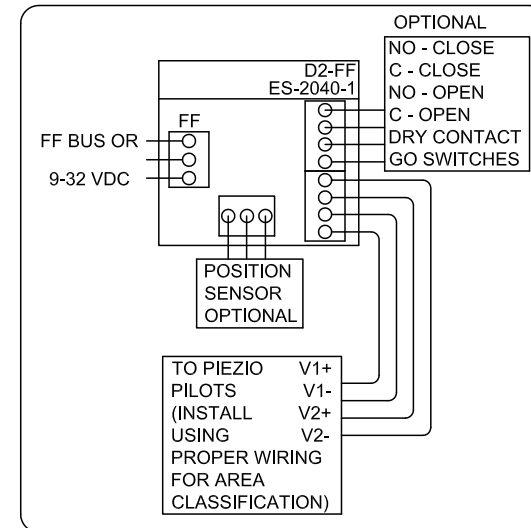


DXP-FF07NMB0000F

Switchbox DXP and DXS

Enclosure	Tropicalized aluminum
Bus/Sensor	Foundation Fieldbus w/ 0-10K potentiometer
Area Classification	Intrinsically safe
Visual Display	3 way, 180° T Port 3 position
Shaft	NAMUR 304 stainless steel
Conduit Entries	(2) M20
O-Rings	Buna-N
Pilot	No pilot device(s)
Spool Valve	No spool valve
Valve Cv	No valve Cv
Manual Override	No manual override
Regional Certification	FISCO
N Switch	No N Switch



CI I Div 1, Grps A-D; Type 4X
 Ex Ib IIC T4 Gb; IP66/67
 -20°C ≤ Ta ≤ 50°C
 Baseefa 11ATEX0035X IECEx BAS 11.0022X
 FISCO: Ui: 17.5V, Ii: 380mA, Pi: 5.32W, Ci: 5nF, Li: 10μH
 Install per Control Drawing ES-03467-1

Model #:

Telemetering Equipment for use In Hazardous Locations
WARNING: Substitution of components may impair intrinsic safety. The Installer shall confirm which certified sub-assemblies are fitted and ensure compliance with the entity parameters in the appropriate certificate. Potential electrostatic charging hazard - Clean only with damp cloth.

AVERTISSEMENT: La substitution de composants peut compromettre la sécurité intrinsèque.

TopWorx
 3300 Fern Valley Road
 Louisville, KY 40213 USA
 www.topworx.com

Serial #:

