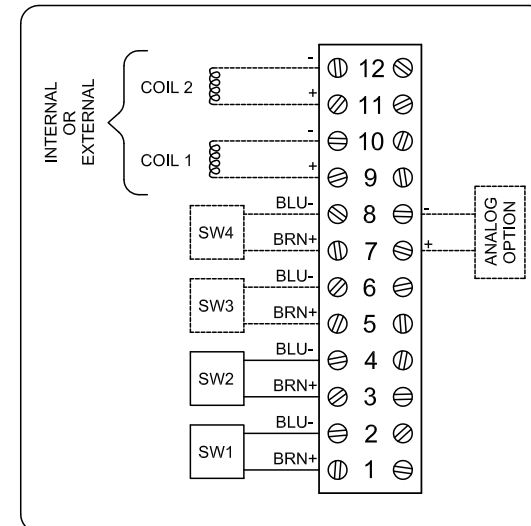
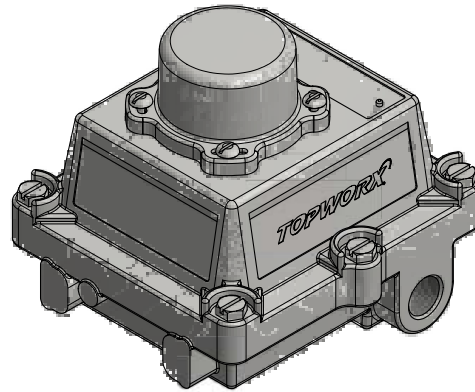
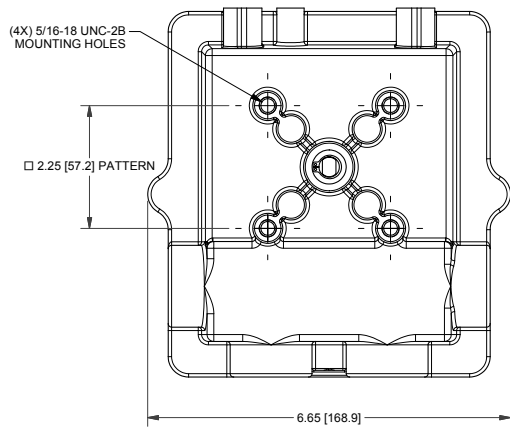


## DXP-F21ZSEB

### Switchbox DXP and DXS

Enclosure	Tropicalized aluminum
Bus/Sensor	(2) P+F NJ2-12GK-N
Area Classification	Explosion proof / flame proof
Visual Display	45° Yellow OPEN, Black CLOSED
Shaft	1/4" DD 304 stainless steel
Conduit Entries	(2) 3/4" NPT
O-Rings	Buna-N
Pilot	No pilot device(s)
Spool Valve	No spool valve
Valve Cv	No valve Cv
Manual Override	No manual override
Regional Certification	No regional certification
N Switch	No N Switch

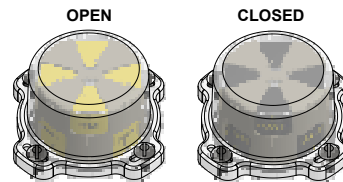


CI I Div 1, Grps C-D; CI I Div 2, Grps A-D; Type 4X  
 Ex d IIB + H<sub>2</sub> T6 Gb; IP66/67  
 -50 C ≤ T<sub>a</sub> ≤ 60 C  
 SIR A 07ATEX1273X IECEX SIR 07.0093X  
 SWITCH: 5-25VDC, 15mA MAX

Telemetering Equipment for use in Hazardous Locations  
**WARNING:** Disconnect the power before servicing. Keep tightly closed during operation. Must be known to be non-hazardous area before servicing. Clean only with damp cloth.  
**AVERTISSEMENT:** Débranchez l'alimentation avant l'entretien. Conservez hermétiquement fermé pendant le fonctionnement. Doivent être connus pour être des zones non dangereuses avant l'entretien.

TopWorx  
 3300 Fern Valley Road  
 Louisville, KY 40213 USA  
 www.topworx.com

Serial #:



Model #:

**Electrol**  
[www.electrosupply.com](http://www.electrosupply.com)  
[sales@electrosupply.com](mailto:sales@electrosupply.com)  
 1-800-663-6576