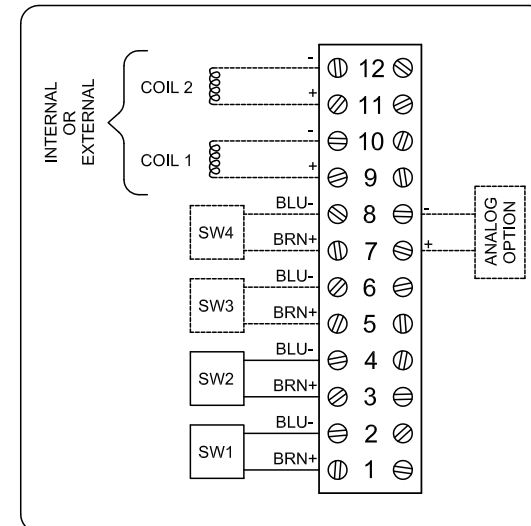




DXP-F204NMB

Switchbox DXP and DXS

| | |
|------------------------|----------------------------|
| Enclosure | Tropicalized aluminum |
| Bus/Sensor | (2) P+F NJ2-12GK-N |
| Area Classification | Intrinsically safe |
| Visual Display | 45° Green OPEN, Red CLOSED |
| Shaft | NAMUR 304 stainless steel |
| Conduit Entries | (2) M20 |
| O-Rings | Buna-N |
| Pilot | No pilot device(s) |
| Spool Valve | No spool valve |
| Valve Cv | No valve Cv |
| Manual Override | No manual override |
| Regional Certification | No regional certification |
| N Switch | No N Switch |



CE 0518 Ex II 2G

UL CERTIFIED LISTED E125326 USA

CI I Div 1, Grps A-D; Type 4X
Ex: Ia IIC T6 Gb; IP66/67
60°C
SIRA 14ATEX2241X IECEx SIR 14.0078X
Intrinsically Safe - Exia / Sécurité Intrinsèque
Install per Control Drawing S-K136

Model #:

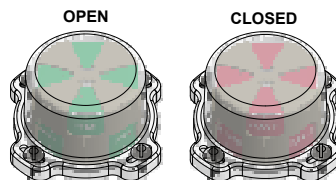
Telemetering Equipment for use In Hazardous Locations

WARNING: Substitution of components may impair intrinsic safety. The installer shall confirm which certified sub-assemblies are fitted and ensure compliance with the entity parameters in the appropriate certificate. Potential electrostatic charging hazard - Clean only with damp cloth.

AVERTISSEMENT: La substitution de composants peut compromettre la sécurité intrinsèque.

TopWorx
3300 Fern Valley Road
Louisville, KY 40213 USA
www.topworx.com

Serial #:



Electrol

www.electrosupply.com
sales@electrosupply.com
1-800-663-6576