

MODEL NUMBER

DXP-ES1GS3B000T

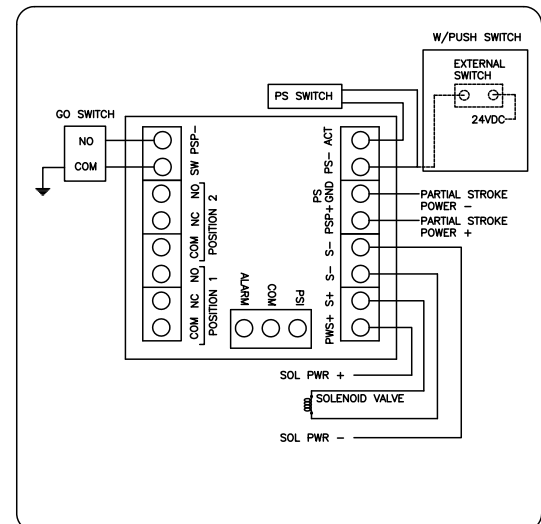
PRODUCT LINE

Switchbox DXP and DXS

SPECIFICATIONS

Enclosure	Tropicalized aluminum
Bus/Sensor	ESD/PST module w/ GO™ Switch
Area Classification	Explosion proof / flame proof
Visual Display	Standard 90° Green OPEN, Red CLOSED
Shaft	1/4" DD 304 stainless steel
Conduit Entries	(4) M20
O-Rings	Buna-N
Pilot	No pilot device(s)
Spool Valve	No spool valve
Valve Cv	No valve Cv
Manual Override	Partial stroke test button w/ lockable cover
Regional Certification	No regional certification
N Switch	No N Switch

WIRING DIAGRAM

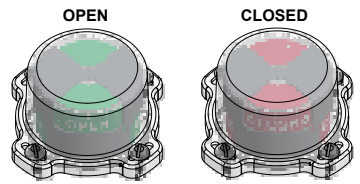


NAMEPLATE

CI I Div 1, Grps C-D; CI I Div 2, Grps A-D; Type 4X
 Ex d IIB + H₂ T6 Gb, IP66/67
 -50 C ≤ Ta ≤ 60 C
 SIR A 07ATEX1273X IECEX SIR 07.0093X
 Electrical Rating: 250mA/24VDC, 120VAC

Telemetering Equipment for use In Hazardous Locations
WARNING: Disconnect the power before servicing. Keep tightly closed during operation. Must be known to be non-hazardous area before servicing. Clean only with damp cloth.
AVERTISSEMENT: Débranchez l'alimentation avant l'entretien. Conserver hermétiquement fermé pendant le fonctionnement. Doivent être connus pour être des zones non dangereuses avant l'entretien.

TopWorx
 3300 Fern Valley Road
 Louisville, KY 40213 USA
 www.topworx.com



Model #:

Serial #:

www.electrosupply.com
sales@electrosupply.com
 1-800-663-6576