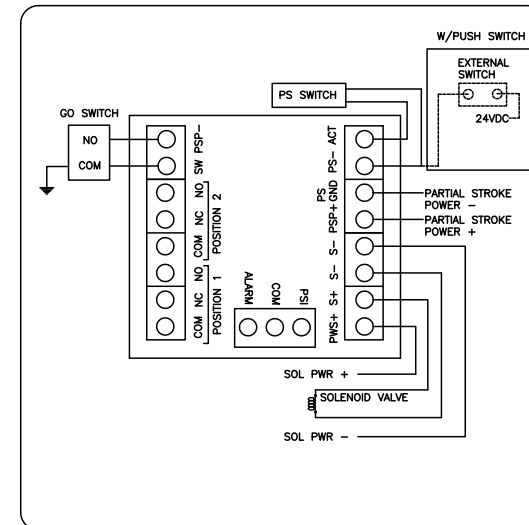
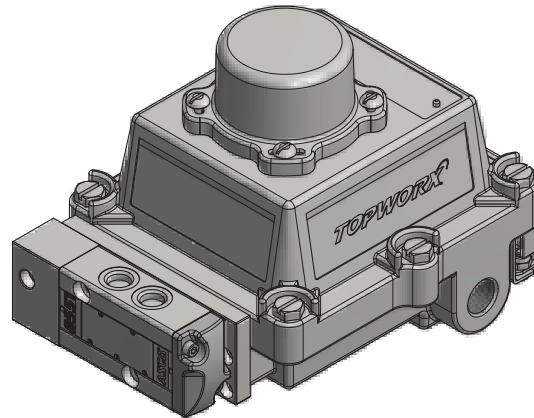
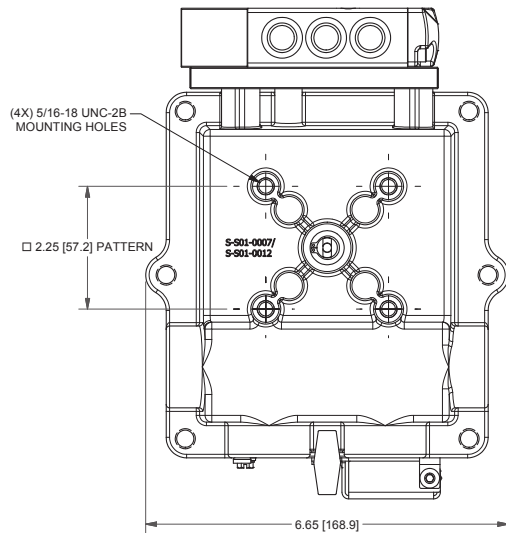


DXP-ES1GN3B1A2T

Switchbox DXP and DXS

| | |
|------------------------|----------------------------------------------|
| Enclosure | Tropicalized aluminum |
| Bus/Sensor | ESD/PST module w/ GO™ Switch |
| Area Classification | Explosion proof / flame proof |
| Visual Display | Standard 90° Green OPEN, Red CLOSED |
| Shaft | NAMUR 304 stainless steel |
| Conduit Entries | (4) M20 |
| O-Rings | Buna-N |
| Pilot | (1) 24Vdc pilot, fail open/closed |
| Spool Valve | Aluminum hard coat anodized |
| Valve Cv | 0.86 Cv (1/4" NPT Ports) |
| Manual Override | Partial stroke test button w/ lockable cover |
| Regional Certification | No regional certification |
| N Switch | No N Switch |



CI I Div 1, Grps C-D; CI I Div 2, Grps A-D; Type 4X
 Ex d IIB + H₂; T6 Gb; IP65
 -50 C ≤ T_a ≤ 60 C
 SIRA 07ATEX1273X IECEX SIR 07.0093X
 Electrical Rating: 250mA/24VDC, 120VAC
 PILOT: 24 VDC

Model #:



Telemetering Equipment for use in Hazardous Locations
WARNING: Disconnect the power before servicing. Keep tightly closed during operation. Must be known to be non-hazardous area before servicing. Clean only with damp cloth.
AVERTISSEMENT: Débranchez l'alimentation avant l'entretien. Conserver hermétiquement fermé pendant le fonctionnement. Doivent être connus pour être des zones non dangereuses avant l'entretien.

TopWorx
 3300 Fern Valley Road
 Louisville, KY 40213 USA
 www.topworx.com

Serial #:



Electrol
www.electrosupply.com
sales@electrosupply.com
 1-800-663-6576