

MODEL NUMBER

DXP-EHCGNEB

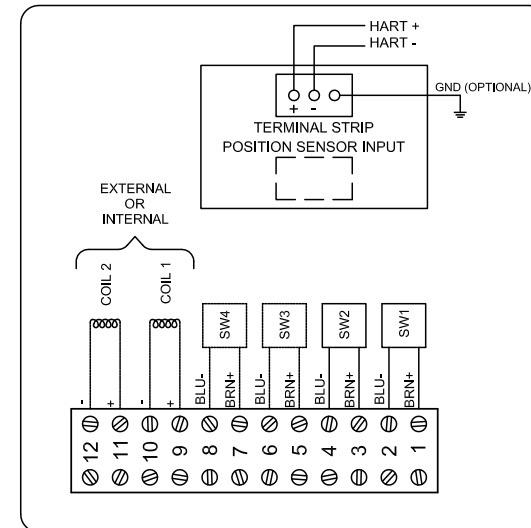
PRODUCT LINE

Switchbox DXP and DXS

SPECIFICATIONS

| | |
|------------------------|--|
| Enclosure | Tropicalized aluminum |
| Bus/Sensor | HART transmitter w/ P+F NJ2-V3-N inductive NAMUR |
| Area Classification | Flame proof |
| Visual Display | Standard 90° Green OPEN, Red CLOSED |
| Shaft | NAMUR 304 stainless steel |
| Conduit Entries | (2) 3/4" NPT |
| O-Rings | Buna-N |
| Pilot | No pilot device(s) |
| Spool Valve | No spool valve |
| Valve Cv | No valve Cv |
| Manual Override | No manual override |
| Regional Certification | No regional certification |
| N Switch | No N Switch |

WIRING DIAGRAM



NAMEPLATE



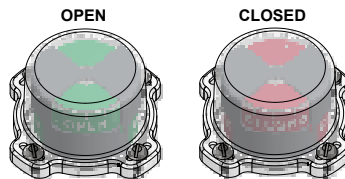
Ex d IIC T6/T5/T4 Gb; IP66/67
 -50°C ≤ Ta ≤ 60°C/75°C/110°C
 SIR4 07ATEX1273X IECEx SIR 07.0093X
 SWITCH: 3mA @ 8VDC NAMUR Output
 HART 4-20mA: 13.5 to 39VDC, 24mA

Telemetering Equipment for use in Hazardous Locations
WARNING: Disconnect the power before servicing. Keep tightly closed during operation. Must be known to be non-hazardous area before servicing. Clean only with damp cloth.

TopWorx
 3300 Fern Valley Road
 Louisville, KY 40213 USA
 www.topworx.com

Model #:

Serial #:



www.electrosupply.com
 sales@electrosupply.com
 1-800-663-6576