



MODEL NUMBER

DXP-E31GS3S

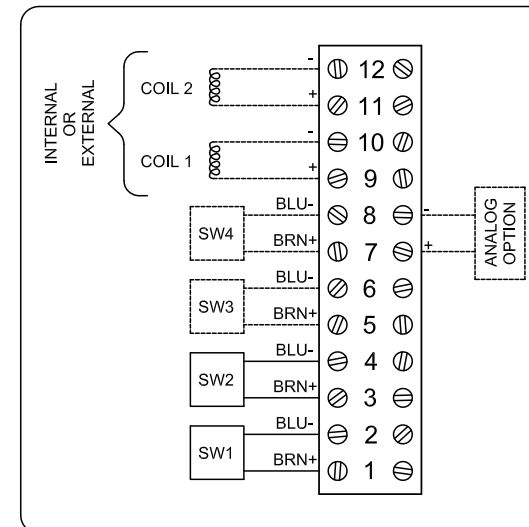
PRODUCT LINE

Switchbox DXP and DXS

SPECIFICATIONS

|                        |                                     |
|------------------------|-------------------------------------|
| Enclosure              | Tropicalized aluminum               |
| Bus/Sensor             | (3) P+F NJ2-V3-N inductive NAMUR    |
| Area Classification    | Explosion proof / flame proof       |
| Visual Display         | Standard 90° Green OPEN, Red CLOSED |
| Shaft                  | 1/4" DD 304 stainless steel         |
| Conduit Entries        | (4) M20                             |
| O-Rings                | Silicone                            |
| Pilot                  | No pilot device(s)                  |
| Spool Valve            | No spool valve                      |
| Valve Cv               | No valve Cv                         |
| Manual Override        | No manual override                  |
| Regional Certification | No regional certification           |
| N Switch               | No N Switch                         |

WIRING DIAGRAM



NAMEPLATE



CI I Div 1, Grps C-D; CI I Div 2, Grps A-D; CI II Div 2, Grps F-G; Type 4X  
 Ex d IIB + H<sub>2</sub>; T6 Gb; Ex tb IIC T85°C Db; IP66/67  
 -50°C ≤ Ta ≤ 60°C  
 SIRA 07ATEX1273X IECEX SIR 07.0093X  
 SWITCH: 3mA @ 8VDC NAMUR Output

Telemetering Equipment for use in Hazardous Locations  
**WARNING:** Disconnect the power before servicing. Keep tightly closed during operation. Must be known to be non-hazardous area before servicing. Clean only with damp cloth.  
**AVERTISSEMENT:** Débranchez l'alimentation avant l'entretien. Conserver hermétiquement fermé pendant le fonctionnement. Doivent être connus pour être des zones non dangereuses avant l'entretien.

TopWorx  
 3300 Fern Valley Road  
 Louisville, KY 40213 USA  
 www.topworx.com

Model #:

Serial #:



**Electrol**

www.electrosupply.com  
 sales@electrosupply.com  
 1-800-663-6576