

**MODEL NUMBER**

**DXP-E21YSMB**

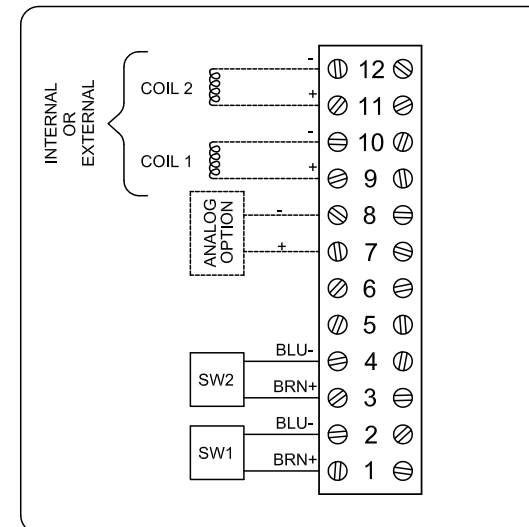
**PRODUCT LINE**

**Switchbox DXP and DXS**

**SPECIFICATIONS**

Enclosure	Tropicalized aluminum
Bus/Sensor	(2) P+F NJ2-V3-N inductive NAMUR
Area Classification	Explosion proof / flame proof
Visual Display	90° Yellow OPEN, Black CLOSED
Shaft	1/4" DD 304 stainless steel
Conduit Entries	(2) M20
O-Rings	Buna-N
Pilot	No pilot device(s)
Spool Valve	No spool valve
Valve Cv	No valve Cv
Manual Override	No manual override
Regional Certification	No regional certification
N Switch	No N Switch

**WIRING DIAGRAM**



**NAMEPLATE**

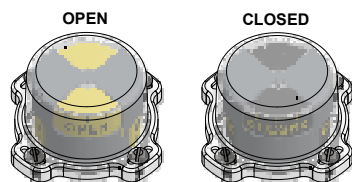


CI I Div 1, Grps C-D; CI I Div 2, Grps A-D; Type 4X  
 Ex d IIB + H<sub>2</sub> T6 Gb, IP66/67  
 -50 C ≤ Ta ≤ 60 C  
 SIR A 07ATEX1273X IECEX SIR 07.0093X  
 SWITCH: 3mA @ 8VDC NAMUR Output

Telemetering Equipment for use in Hazardous Locations  
**WARNING:** Disconnect the power before servicing. Keep tightly closed during operation. Must be known to be non-hazardous area before servicing. Clean only with damp cloth.  
**AVERTISSEMENT:** Débranchez l'alimentation avant l'entretien. Conserver hermétiquement fermé pendant le fonctionnement. Doivent être connus pour être des zones non dangereuses avant l'entretien.

TopWorx  
 3300 Fern Valley Road  
 Louisville, KY 40213 USA  
 www.topworx.com

Serial #:



Model #:



www.electrosupply.com  
 sales@electrosupply.com  
 1-800-663-6576