

MODEL NUMBER

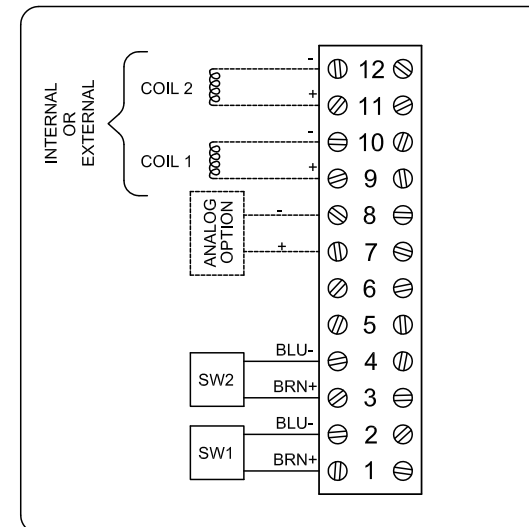
DXP-E21XNEB

PRODUCT LINE

Switchbox DXP and DXS

SPECIFICATIONS

Enclosure	Tropicalized aluminum
Bus/Sensor	(2) P+F NJ2-V3-N inductive NAMUR
Area Classification	Explosion proof / flame proof
Visual Display	45° Black OPEN, Yellow CLOSED
Shaft	NAMUR 304 stainless steel
Conduit Entries	(2) 3/4" NPT
O-Rings	Buna-N
Pilot	No pilot device(s)
Spool Valve	No spool valve
Valve Cv	No valve Cv
Manual Override	No manual override
Regional Certification	No regional certification
N Switch	No N Switch

WIRING DIAGRAM**NAMEPLATE**

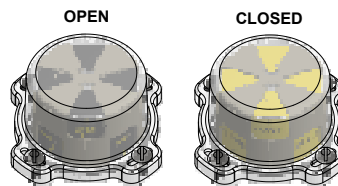
CI I Div 1, Grps C-D; CI I Div 2, Grps A-D; Type 4X
 Ex d IIB + H₂ T6 Gb, IP66/67
 -50 C ≤ T_a ≤ 60 C
 SIRA 07ATEX1273X IECEx SIR 07.0093X
 SWITCH: 3mA @ 8VDC NAMUR Output

Model #:

Telemetering Equipment for use In Hazardous Locations
WARNING: Disconnect the power before servicing. Keep tightly closed during operation. Must be known to be non-hazardous area before servicing. Clean only with damp cloth.
AVERTISSEMENT: Débranchez l'alimentation avant l'entretien. Conserver hermétiquement fermé pendant le fonctionnement. Doivent être connus pour être des zones non dangereuses avant l'entretien.

TopWorx
 3300 Fern Valley Road
 Louisville, KY 40213 USA
 www.topworx.com

Serial #:



Electrol

www.electrosupply.com
 sales@electrosupply.com
 1-800-663-6576