

MODEL NUMBER

DXP-E20GS4B

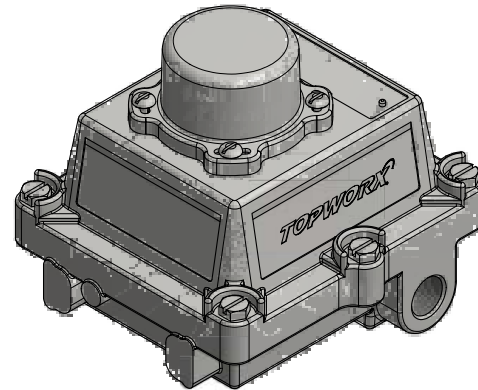
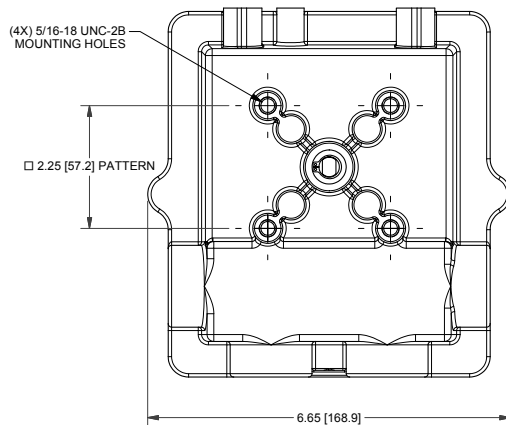
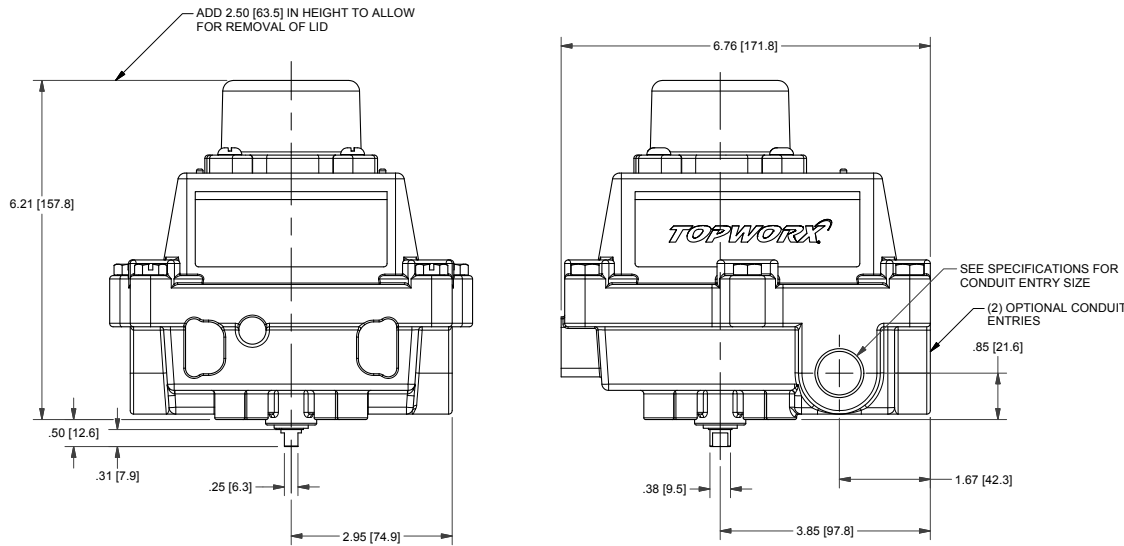
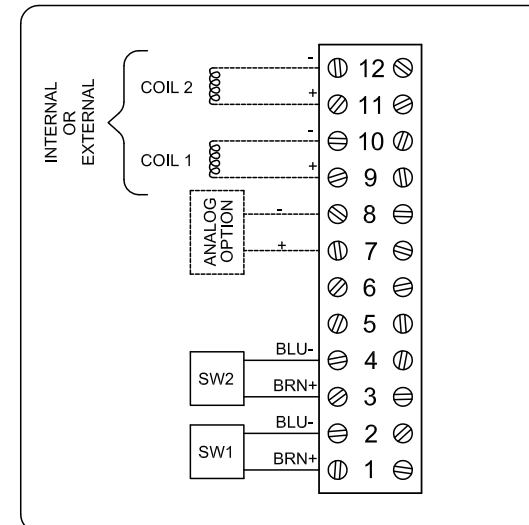
PRODUCT LINE

Switchbox DXP and DXS

SPECIFICATIONS

|                        |                                     |
|------------------------|-------------------------------------|
| Enclosure              | Tropicalized aluminum               |
| Bus/Sensor             | (2) P+F NJ2-V3-N inductive NAMUR    |
| Area Classification    | Intrinsically safe                  |
| Visual Display         | Standard 90° Green OPEN, Red CLOSED |
| Shaft                  | 1/4" DD 304 stainless steel         |
| Conduit Entries        | (2) 3/4" NPT, (2) 1/2" NPT          |
| O-Rings                | Buna-N                              |
| Pilot                  | No pilot device(s)                  |
| Spool Valve            | No spool valve                      |
| Valve Cv               | No valve Cv                         |
| Manual Override        | No manual override                  |
| Regional Certification | No regional certification           |
| N Switch               | No N Switch                         |

WIRING DIAGRAM



NAMEPLATE



CI I Div 1, Grps A-D; Type 4X  
 Ex Ia IIC T6 Gb; IP66/67  
 -50°C ≤ Ta ≤ 60°C  
 SIRA 14ATEX2241X IECEx SIR 14.0078X  
 Intrinsically Safe - Exia / Sécurité Intrinsèque  
 Install per Control Drawing S-K136

Model #:

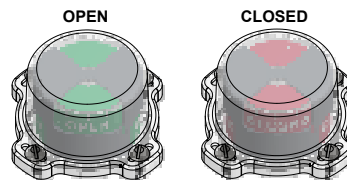
Telemetering Equipment for use In Hazardous Locations

**WARNING:** Substitution of components may impair intrinsic safety. The installer shall confirm which certified sub-assemblies are fitted and ensure compliance with the entity parameters in the appropriate certificates. Potential electrostatic charging hazard - Clean only with damp cloth.

**AVERTISSEMENT:** La substitution de composants peut compromettre la sécurité intrinsèque.

TopWorx  
 3300 Fern Valley Road  
 Louisville, KY 40213 USA  
 www.topworx.com

Serial #:



**Electrol**

www.electrosupply.com  
 sales@electrosupply.com  
 1-800-663-6576