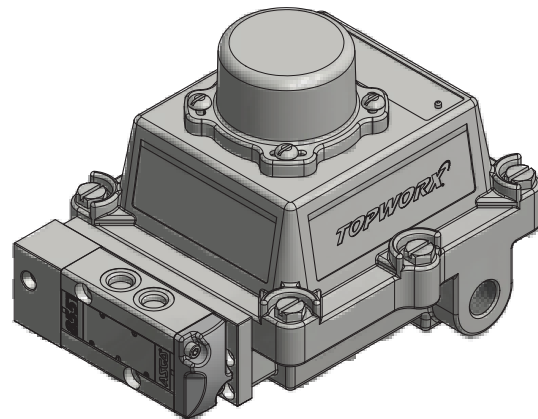
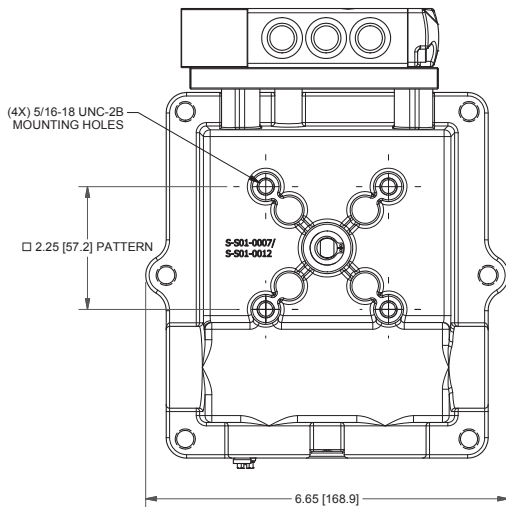
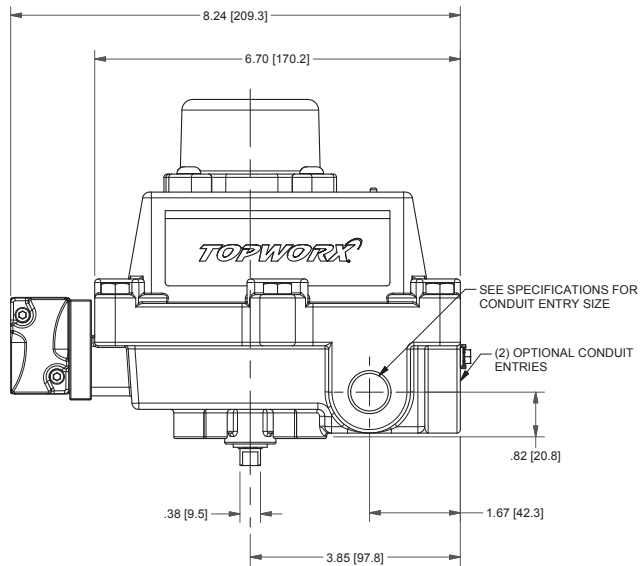
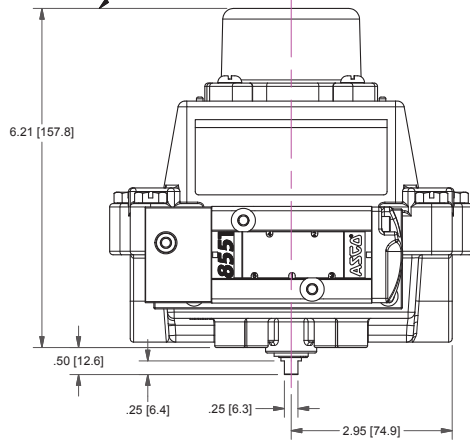


ADD 2.50 [63.5] IN HEIGHT TO ALLOW FOR REMOVAL OF LID



MODEL NUMBER

DXP-AS2GSEB1A2

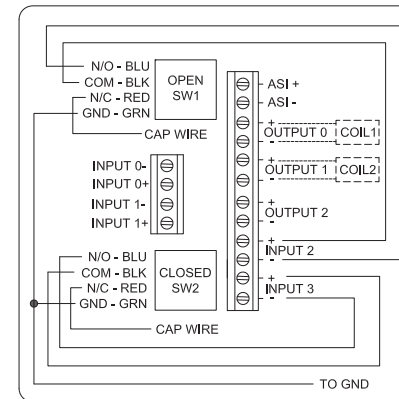
PRODUCT LINE

Switchbox DXP and DXS

SPECIFICATIONS

|                        |                                     |
|------------------------|-------------------------------------|
| Enclosure              | Tropicalized aluminum               |
| Bus/Sensor             | AS-Interface w(2) SPDT GO Switches  |
| Area Classification    | Non-incendive                       |
| Visual Display         | Standard 90° Green OPEN, Red CLOSED |
| Shaft                  | 1/4" DD 304 stainless steel         |
| Conduit Entries        | (2) 3/4" NPT                        |
| O-Rings                | Buna-N                              |
| Pilot                  | (1) 24Vdc pilot, fail open/closed   |
| Spool Valve            | Aluminum hard coat anodized         |
| Valve Cv               | 0.86 Cv (1/4" NPT Ports)            |
| Manual Override        | No manual override                  |
| Regional Certification | No regional certification           |
| N Switch               | No N Switch                         |

WIRING DIAGRAM



NAMEPLATE



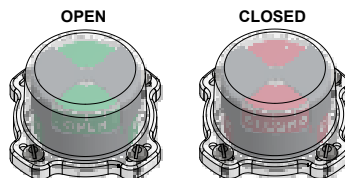
CI I Div 2, Grps A-D, Type 4X  
 Ex nA nC IIC T6 Gc; IP65  
 -40 C ≤ Ta ≤ 50 C  
 BUS: Max Current 400mA @ Max ASI Voltage 31.6VDC  
 PILOT: 24 VDC

Telemetering Equipment for use In Hazardous Locations  
**WARNING:** Substitution of components may impair suitability for use in Class I, Division 2 or Zone 2 environments. Must be known to be non-hazardous area before servicing. Clean only with damp cloth.  
**AVERTISSEMENT:** La substitution de composants peut altérer l'aptitude pour une utilisation dans Classe I, Division 2 environnements. Doivent être connus pour être des zones non dangereuses avant l'entretien.

TopWorx  
 3300 Fern Valley Road  
 Louisville, KY 40213 USA  
 www.topworx.com

Model #:

Serial #:



**Electrol**

www.electrosupply.com  
 sales@electrosupply.com  
 1-800-663-6576