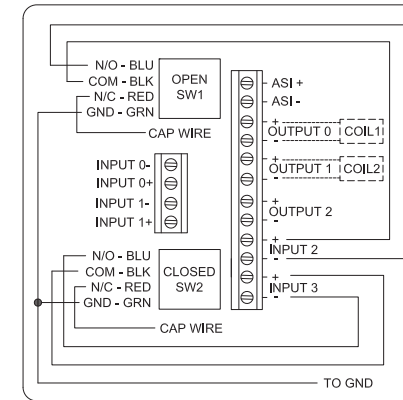


DXP-AS1GSEB1A21

Switchbox DXP and DXS

Enclosure	Tropicalized aluminum
Bus/Sensor	AS-Interface w(2) SPDT GO Switches
Area Classification	Explosion proof / flame proof
Visual Display	Standard 90° Green OPEN, Red CLOSED
Shaft	1/4" DD 304 stainless steel
Conduit Entries	(2) 3/4" NPT
O-Rings	Buna-N
Pilot	(1) 24Vdc pilot, fail open/closed
Spool Valve	Aluminum hard coat anodized
Valve Cv	0.86 Cv (1/4" NPT Ports)
Manual Override	Single pushbutton momentary/latching
Regional Certification	No regional certification
N Switch	No N Switch



I Div 1, Grps C-D; CI I Div 2, Grps A-D; Type 4X

 Ex d IIB + H₂ T6 Gb, IP65

 -40 C ≤ T_a ≤ 50 C

 SIRA 07ATEX1273X IECEX SIR 07.0093X

 BUS: Max Current 400mA @ Max ASI Voltage 31.6VDC

 PILOT: 24 VDC

Model #:

Telemetering Equipment for use in Hazardous Locations

WARNING: Disconnect the power before servicing. Keep tightly closed during operation. Must be known to be non-hazardous area before servicing. Clean only with damp cloth.

AVERTISSEMENT: Débranchez l'alimentation avant l'entretien.

 Conserver hermétiquement fermé pendant le fonctionnement. Doivent être connus pour être des zones non dangereuses avant l'entretien.

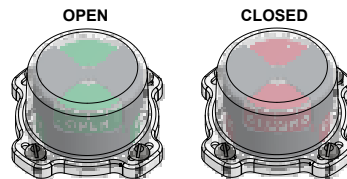
TopWorx

 3300 Fern Valley Road

 Louisville, KY 40213 USA

 www.topworx.com

Serial #:



www.electrosupply.com

sales@electrosupply.com

 1-800-663-6576