

MODEL NUMBER

DXP-AS1BNEB2A3

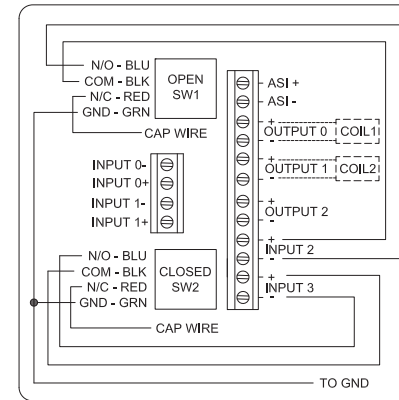
PRODUCT LINE

Switchbox DXP and DXS

SPECIFICATIONS

| | |
|------------------------|--------------------------------------|
| Enclosure | Tropicalized aluminum |
| Bus/Sensor | AS-Interface w(2) SPDT GO Switches |
| Area Classification | Explosion proof / flame proof |
| Visual Display | 90° Black OPEN, Yellow CLOSED |
| Shaft | NAMUR 304 stainless steel |
| Conduit Entries | (2) 3/4" NPT |
| O-Rings | Buna-N |
| Pilot | (2) 24Vdc pilots, fail last position |
| Spool Valve | Aluminum hard coat anodized |
| Valve Cv | 3.7 Cv (1/2" NPT Ports) |
| Manual Override | No manual override |
| Regional Certification | No regional certification |
| N Switch | No N Switch |

WIRING DIAGRAM



NAMEPLATE

CE 0518 Ex II B + H₂ T6 Gb, IP65 -40 C ≤ T_a ≤ 50 C SIRA 07ATEX1273X IECEX SIR 07.0093X BUS: Max Current 400mA @ Max ASI Voltage 31.6VDC PILOT: 24 VDC

UL CERTIFIED LISTED E125326 USA

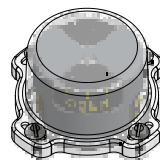
Telemetering Equipment for use in Hazardous Locations
WARNING: Disconnect the power before servicing. Keep tightly closed during operation. Must be known to be non-hazardous area before servicing. Clean only with damp cloth.
AVERTISSEMENT: Débranchez l'alimentation avant l'entretien. Conserver hermétiquement fermé pendant le fonctionnement. Doivent être connus pour être des zones non dangereuses avant l'entretien.

TopWorx
 3300 Fern Valley Road
 Louisville, KY 40213 USA
 www.topworx.com

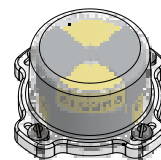
Model #:

Serial #:

OPEN



CLOSED



Electrol

www.electrosupply.com
 sales@electrosupply.com
 1-800-663-6576