

**MODEL NUMBER**

**DXP-AS1BNEB1A3**

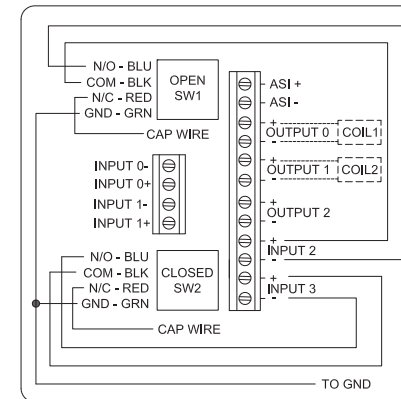
**PRODUCT LINE**

**Switchbox DXP and DXS**

**SPECIFICATIONS**

|                        |                                    |
|------------------------|------------------------------------|
| Enclosure              | Tropicalized aluminum              |
| Bus/Sensor             | AS-Interface w(2) SPDT GO Switches |
| Area Classification    | Explosion proof / flame proof      |
| Visual Display         | 90° Black OPEN, Yellow CLOSED      |
| Shaft                  | NAMUR 304 stainless steel          |
| Conduit Entries        | (2) 3/4" NPT                       |
| O-Rings                | Buna-N                             |
| Pilot                  | (1) 24Vdc pilot, fail open/closed  |
| Spool Valve            | Aluminum hard coat anodized        |
| Valve Cv               | 3.7 Cv (1/2" NPT Ports)            |
| Manual Override        | No manual override                 |
| Regional Certification | No regional certification          |
| N Switch               | No N Switch                        |

**WIRING DIAGRAM**



**NAMEPLATE**

CE 0518 Ex II 2G UL CERTIFIED LISTED E125326 USA

CI I Div 1, Grps C-D; CI I Div 2, Grps A-D; Type 4X  
Ex d IIB + H<sub>2</sub> T6 Gb, IP65  
-40 C ≤ T<sub>a</sub> ≤ 50 C  
SIRA 07ATEX1273X IECEX SIR 07.0093X  
BUS: Max Current 400mA @ Max ASI Voltage 31.6VDC  
PILOT: 24 VDC

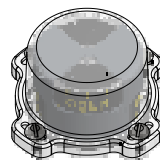
Telemetering Equipment for use in Hazardous Locations  
**WARNING:** Disconnect the power before servicing. Keep tightly closed during operation. Must be known to be non-hazardous area before servicing. Clean only with damp cloth.  
**AVERTISSEMENT:** Débranchez l'alimentation avant l'entretien. Conserver hermétiquement fermé pendant le fonctionnement. Doivent être connus pour être des zones non dangereuses avant l'entretien.

TopWorx  
3300 Fern Valley Road  
Louisville, KY 40213 USA  
www.topworx.com

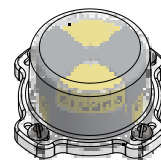
Model #:

Serial #:

**OPEN**



**CLOSED**



**Electrol**

www.electrosupply.com  
sales@electrosupply.com  
1-800-663-6576