

MODEL NUMBER

DXP-AS1BNEB

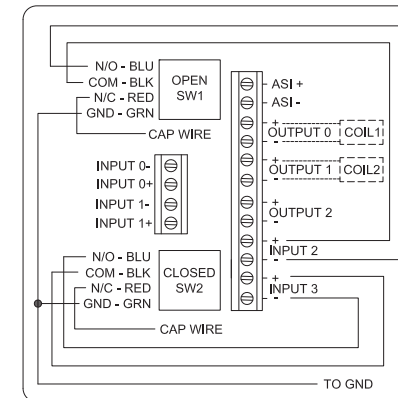
PRODUCT LINE

Switchbox DXP and DXS

SPECIFICATIONS

Enclosure	Tropicalized aluminum
Bus/Sensor	AS-Interface w(2) SPDT GO Switches
Area Classification	Explosion proof / flame proof
Visual Display	90° Black OPEN, Yellow CLOSED
Shaft	NAMUR 304 stainless steel
Conduit Entries	(2) 3/4" NPT
O-Rings	Buna-N
Pilot	No pilot device(s)
Spool Valve	No spool valve
Valve Cv	No valve Cv
Manual Override	No manual override
Regional Certification	No regional certification
N Switch	No N Switch

WIRING DIAGRAM



NAMEPLATE

CE 0518 Ex II B + H<sub>2</sub> T6 Gb, IP66/67 -50 C ≤ T<sub>a</sub> ≤ 60 C  
 UL CERTIFIED LISTED E125376 USA  
 CI I Div 1, Grps C-D; CI I Div 2, Grps A-D; Type 4X  
 SIR A 07ATEX1273X IECEX SIR 07.0093X  
 BUS: Max Current 400mA @ Max ASI Voltage 31.6VDC

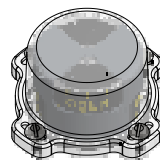
Telemetering Equipment for use in Hazardous Locations  
**WARNING:** Disconnect the power before servicing. Keep tightly closed during operation. Must be known to be non-hazardous area before servicing. Clean only with damp cloth.  
**AVERTISSEMENT:** Débranchez l'alimentation avant l'entretien. Conserver hermétiquement fermé pendant le fonctionnement. Doivent être connus pour être des zones non dangereuses avant l'entretien.

TopWorx  
 3300 Fern Valley Road  
 Louisville, KY 40213 USA  
 www.topworx.com

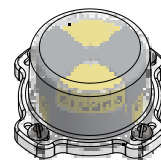
Model #:

Serial #:

OPEN



CLOSED



**Electrol**

www.electrosupply.com  
 sales@electrosupply.com  
 1-800-663-6576