

**MODEL NUMBER**

**DXP-AS11NEB1A21**

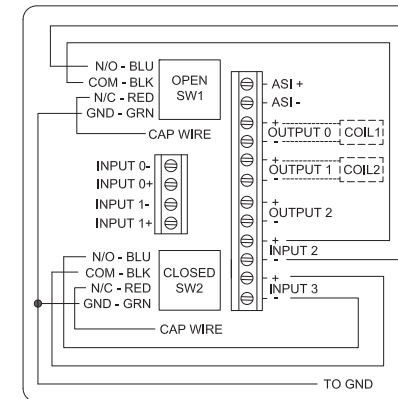
**PRODUCT LINE**

**Switchbox DXP and DXS**

**SPECIFICATIONS**

Enclosure	Tropicalized aluminum
Bus/Sensor	AS-Interface w(2) SPDT GO Switches
Area Classification	Explosion proof / flame proof
Visual Display	3 way, 90° L Port
Shaft	NAMUR 304 stainless steel
Conduit Entries	(2) 3/4" NPT
O-Rings	Buna-N
Pilot	(1) 24Vdc pilot, fail open/closed
Spool Valve	Aluminum hard coat anodized
Valve Cv	0.86 Cv (1/4" NPT Ports)
Manual Override	Single pushbutton momentary/latching
Regional Certification	No regional certification
N Switch	No N Switch

**WIRING DIAGRAM**



**NAMEPLATE**

CE 0518 Ex II 2G UL CERTIFIED LISTED E125316 USA  
 CI I Div 1, Grps C-D; CI I Div 2, Grps A-D; Type 4X  
 Ex d IIB + H<sub>2</sub> T6 Gb, IP65  
 -40 C ≤ T<sub>a</sub> ≤ 50 C  
 SIRA 07ATEX1273X IECEX SIR 07.0093X  
 BUS: Max Current 400mA @ Max ASI Voltage 31.6VDC  
 PILOT: 24 VDC

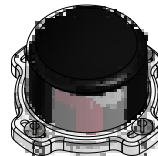
Telemetering Equipment for use in Hazardous Locations  
**WARNING:** Disconnect the power before servicing. Keep tightly closed during operation. Must be known to be non-hazardous area before servicing. Clean only with damp cloth.  
**AVERTISSEMENT:** Débranchez l'alimentation avant l'entretien. Conservez hermétiquement fermé pendant le fonctionnement. Doivent être connus pour être des zones non dangereuses avant l'entretien.

TopWorx  
 3300 Fern Valley Road  
 Louisville, KY 40213 USA  
 www.topworx.com

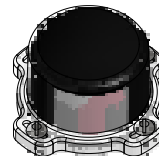
Model #:

Serial #:

**DIVERT LEFT**



**DIVERT RIGHT**



**Electrol**

www.electrosupply.com  
 sales@electrosupply.com  
 1-800-663-6576