

MODEL NUMBER

DXP-0X2GNEB

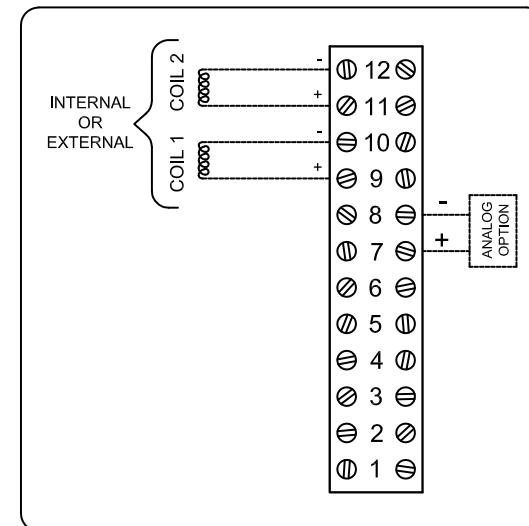
PRODUCT LINE

Switchbox DXP and DXS

SPECIFICATIONS

| | |
|------------------------|-------------------------------------|
| Enclosure | Tropicalized aluminum |
| Bus/Sensor | 4-20mA transmitter |
| Area Classification | Non-incendive |
| Visual Display | Standard 90° Green OPEN, Red CLOSED |
| Shaft | NAMUR 304 stainless steel |
| Conduit Entries | (2) 3/4" NPT |
| O-Rings | Buna-N |
| Pilot | No pilot device(s) |
| Spool Valve | No spool valve |
| Valve Cv | No valve Cv |
| Manual Override | No manual override |
| Regional Certification | No regional certification |
| N Switch | No N Switch |

WIRING DIAGRAM



NAMEPLATE



CI I Div 2, Grps A-D; Type 4X
 Ex nA nC IIC T6 Cc; IP66/67
 -50 C ≤ Ta ≤ 60 C
 4-20mA LOOP: 8.5 to 34VDC, 20mA

Telemetering Equipment for use In Hazardous Locations
WARNING: Substitution of components may impair suitability for use in Class I, Division 2 or Zone 2 environments. Must be known to be non-hazardous area before servicing. Clean only with damp cloth.
AVERTISSEMENT: La substitution de composants peut altérer l'aptitude pour une utilisation dans Classe I, Division 2 environnements. Doivent être connus pour être des zones non dangereuses avant l'entretien.

TopWorx
 3300 Fern Valley Road
 Louisville, KY 40213 USA
 www.topworx.com

Model #:

Serial #:



Electrol

www.electrosupply.com
 sales@electrosupply.com
 1-800-663-6576