

MODEL NUMBER

DXP-0HCGSEB

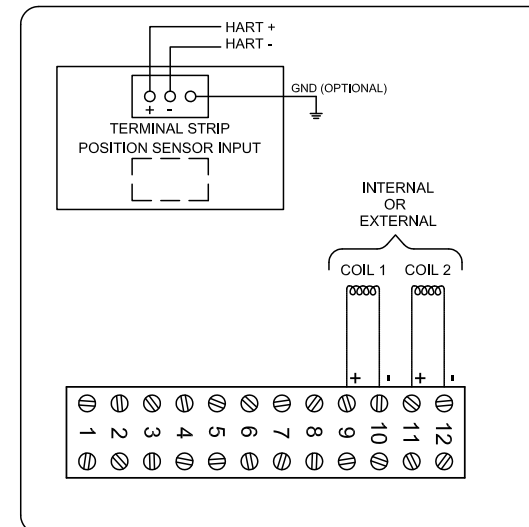
PRODUCT LINE

Switchbox DXP and DXS

SPECIFICATIONS

Enclosure	Tropicalized aluminum
Bus/Sensor	HART transmitter
Area Classification	Flame proof
Visual Display	Standard 90° Green OPEN, Red CLOSED
Shaft	1/4" DD 304 stainless steel
Conduit Entries	(2) 3/4" NPT
O-Rings	Buna-N
Pilot	No pilot device(s)
Spool Valve	No spool valve
Valve Cv	No valve Cv
Manual Override	No manual override
Regional Certification	No regional certification
N Switch	No N Switch

WIRING DIAGRAM



NAMEPLATE



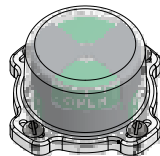
Ex d IIC T6/T5/T4 Gb; IP66/67
-50°C ≤ Ta ≤ 60°C/75°C/110°C
SIRA 07ATEX1273X; IECEx SIR 07.0093X
HART 4-20mA: 13.5 to 39VDC, 24mA

Telemetering Equipment for use in Hazardous Locations
WARNING: Disconnect the power before servicing. Keep tightly closed during operation. Must be known to be non-hazardous area before servicing. Clean only with damp cloth.

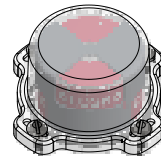
TopWorx
3300 Fern Valley Road
Louisville, KY 40213 USA
www.topworx.com

Serial #:

OPEN



CLOSED



Model #:

Electrol

www.electrosupply.com
sales@electrosupply.com
1-800-663-6576