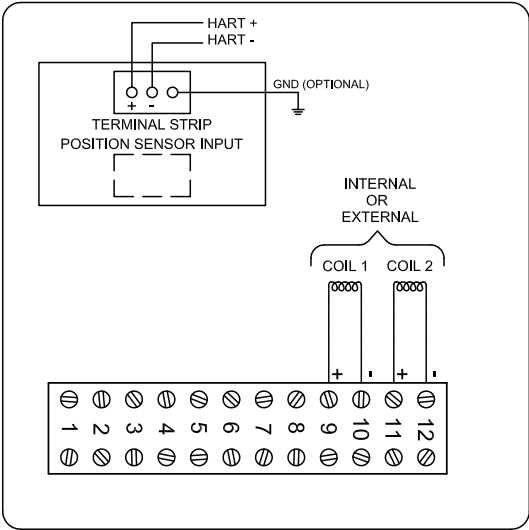


DXP-0HCGNES

Switchbox DXP and DXS

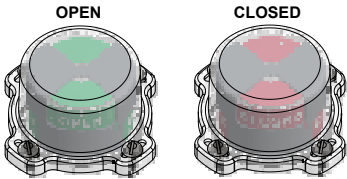
Enclosure	Tropicalized aluminum
Bus/Sensor	HART transmitter
Area Classification	Flame proof
Visual Display	Standard 90° Green OPEN, Red CLOSED
Shaft	NAMUR 304 stainless steel
Conduit Entries	(2) 3/4" NPT
O-Rings	Silicone
Pilot	No pilot device(s)
Spool Valve	No spool valve
Valve Cv	No valve Cv
Manual Override	No manual override
Regional Certification	No regional certification
N Switch	No N Switch



Ex d IIC T6/T5/T4 Gb; Ex tb IIIC T85° C/T100° C/T135° C Db; IP66/67
 -50°C ≤ Ta ≤ 60°C/75°F/110°F
 SIR4 07ATEX1273X IECEx SIR 07.0093X
 HART 4-20mA: 13.5 to 39VDC, 24mA

Telemetering Equipment for use In Hazardous Locations
WARNING: Disconnect the power before servicing. Keep tightly closed during operation. Must be known to be non-hazardous area before servicing. Clean only with damp cloth.

TopWorx
 3300 Fern Valley Road
 Louisville, KY 40213 USA
 www.topworx.com



Model #:

Serial #:

Electrol
www.electrosupply.com
sales@electrosupply.com
 1-800-663-6576