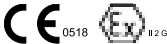
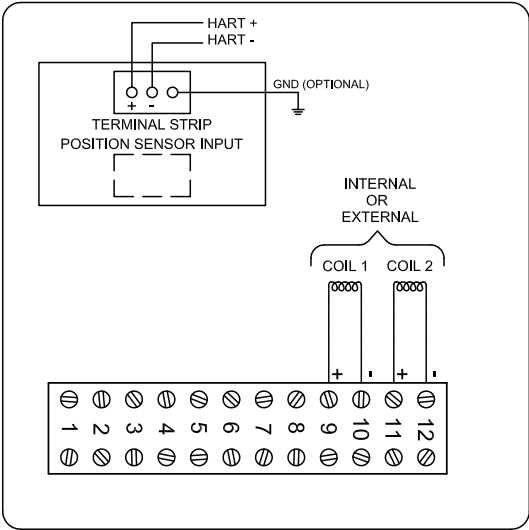


DXP-0H0GNEB

Switchbox DXP and DXS

Enclosure	Tropicalized aluminum
Bus/Sensor	HART transmitter
Area Classification	Intrinsically safe
Visual Display	Standard 90° Green OPEN, Red CLOSED
Shaft	NAMUR 304 stainless steel
Conduit Entries	(2) 3/4" NPT
O-Rings	Buna-N
Pilot	No pilot device(s)
Spool Valve	No spool valve
Valve Cv	No valve Cv
Manual Override	No manual override
Regional Certification	No regional certification
N Switch	No N Switch



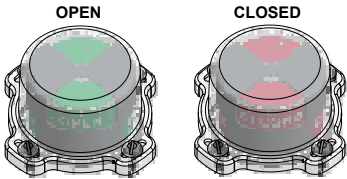
Ex ia IIC T6 Gb; IP66/67
 -50°C ≤ Ta ≤ 52°C
 SIR A 14ATEX2241X IECEx SIR 14.0078X
 HART 4-20mA; Ui=28V, Ii=100mA, Pi=0.7W, Ci=14nF, Li=2.06mH

Model #:

Telemetering Equipment for use in Hazardous Locations
WARNING: Substitution of components may impair intrinsic safety. The installer shall confirm which certified sub-assemblies are fitted and ensure compliance with the entry parameters in the appropriate certificate. Potential electrostatic charging hazard - Clean only with damp cloth.

TopWorx
 3300 Fern Valley Road
 Louisville, KY 40213 USA
 www.topworx.com

Serial #:



Electrol www.electrosupply.com
sales@electrosupply.com
 1-800-663-6576