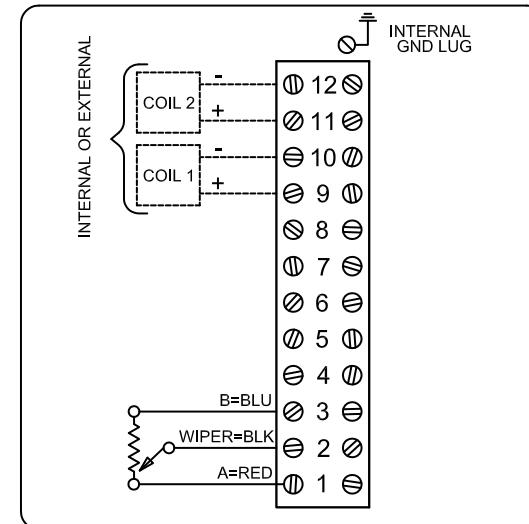


DXP-0A1GSEB

Switchbox DXP and DXS

Enclosure	Tropicalized aluminum
Bus/Sensor	No switches w/ 0-1K potentiometer
Area Classification	Explosion proof / flame proof
Visual Display	Standard 90° Green OPEN, Red CLOSED
Shaft	1/4" DD 304 stainless steel
Conduit Entries	(2) 3/4" NPT
O-Rings	Buna-N
Pilot	No pilot device(s)
Spool Valve	No spool valve
Valve Cv	No valve Cv
Manual Override	No manual override
Regional Certification	No regional certification
N Switch	No N Switch

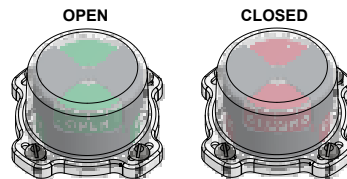


Ex d IIB + H₂ T6 Gb; IP66/67
 -50°C ≤ Ta ≤ 60°C
 SIR A 07ATEX1273X IECEx SIR 07.0093X
 0 to 35 Volts MAX; 1.5mA

Telemetering Equipment for use in Hazardous Locations
WARNING: Disconnect the power before servicing. Keep tightly closed during operation. Must be known to be non-hazardous area before servicing. Clean only with damp cloth.
AVERTISSEMENT: Débranchez l'alimentation avant l'entretien. Conserver hermétiquement fermé pendant le fonctionnement. Doivent être connus pour être des zones non dangereuses avant l'entretien.

TopWorx
 3300 Fern Valley Road
 Louisville, KY 40213 USA
 www.topworx.com

Serial #:



Model #:

Electrol
 www.electrosupply.com
 sales@electrosupply.com
 1-800-663-6576