

New generation available: DL0201  
 Article discontinued as of 31.March 2017

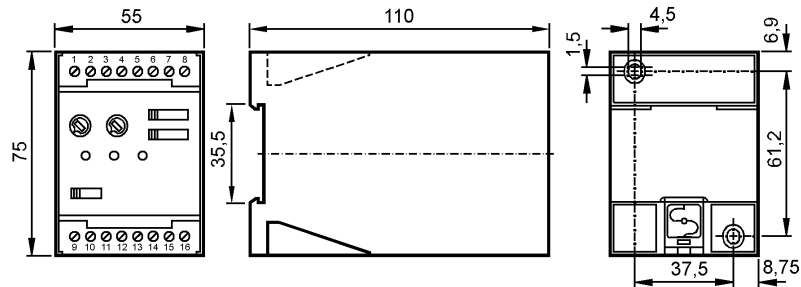
**ecomat200**

DT0001



T700/230VAC

Evaluation systems, power supplies



Product characteristics

Multi-function relay

T700

Housing for DIN rail mounting

4 functions

2 timers 0.25...640 s

Application

Application

Switching function

Switching output

Electrical data

Nominal voltage [V]

Voltage tolerance [%]

Sensor supply [V]

Inputs

Input level

Outputs

Relay

Contact rating

Measuring / setting range

Setting

Possible settings

Time ranges [s]

Accuracy / deviations

Repeatability [% / Sp]

Environment

Ambient temperature [°C]

Protection housing / terminals

Safety classification

MTTF

Mechanical data

Housing materials

Weight [kg]

power supply and switching amplifier with timer function (e.g. for sensors)

2 timers for ON/OFF delay and fleeting pulse which can be set separately

relay (1 changeover contact)

230 AC (50...60 Hz) / 24 DC

± 10

24 DC ±5% (max. 40 mA)

"High" at > 15 V ; > 7 mA / "Low" at < 5 V ; < 2 mA

8 A / 1250 VA / 250 V AC

timer settings with slide switch;  
time fine setting with potentiometer

start-up delay / drop-off delay;  
start-up delay und drop-off delay;  
on pulse / delayed on pulse;  
off pulse / delayed off pulse

0.25...2.5 / 1...10 / 8...80 / 64...640

< 3

0...55

IP 40 / IP 20

471

plastics

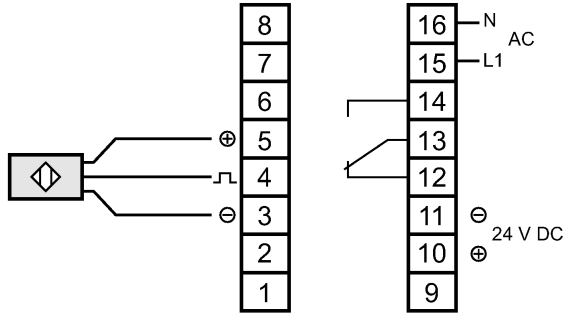
0.444

**DT0001 - Multi-function relay - eclass: 27371790 / 27-37-17-90**

Displays / operating elements

Power	LED	green
Input pulses	LED	yellow
Output status indication	LED	green (lights when the output relay is energised)
Electrical connection		
Connection		terminals up to 4 mm <sup>2</sup>

**Wiring**



Remarks

Pack quantity	[piece]	1
---------------	---------	---

ifm efector, inc. • 1100 Atwater Drive • Malvern • PA 19355 — We reserve the right to make technical alterations without prior notice. — US — DT0001 — 02.03.2012

New generation available: DL0201

Article discontinued as of 31.March 2017