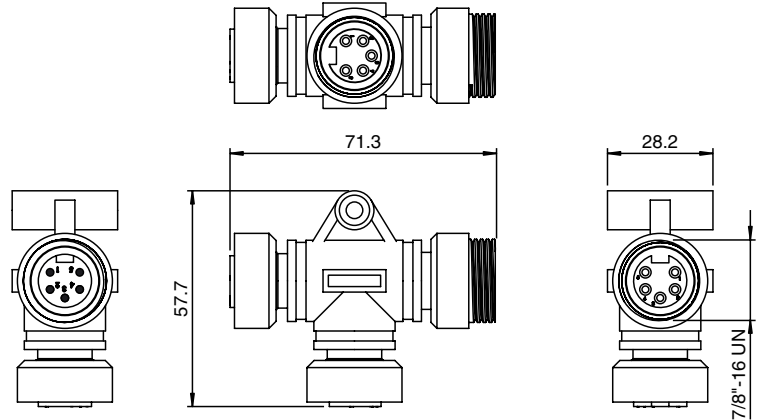




**Dimensions**



**Model Number**

**DNV95-G-0M-T-0M-V95-G-L**

T-Distributor for DeviceNet

**Technical data**

**General specifications**

Number of pins 5

**Electrical specifications**

Operating voltage  $U_B$  max. 300 V

Operating current max. 8 A

**Ambient conditions**

Ambient temperature -40 ... 105 °C (-40 ... 221 °F)

**Mechanical specifications**

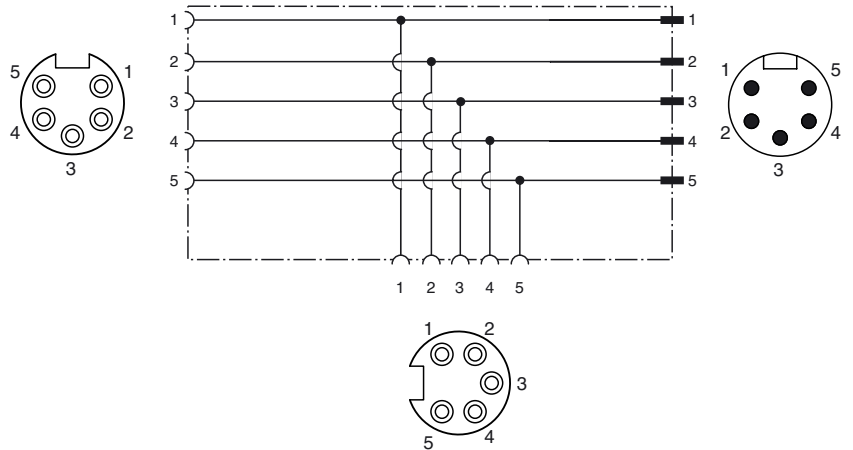
Connection 2 x 7/8"-16 UN sockets  
1 x 7/8"-16 UN connector

**Material**

Contacts CuZn, gold-plated

Body PVC, yellow

**Electrical connection**



Release date: 2014-11-04 08:56 Date of issue: 2014-11-04 908943\_eng.xml