

no longer available - archive entry replaced by: DN4033

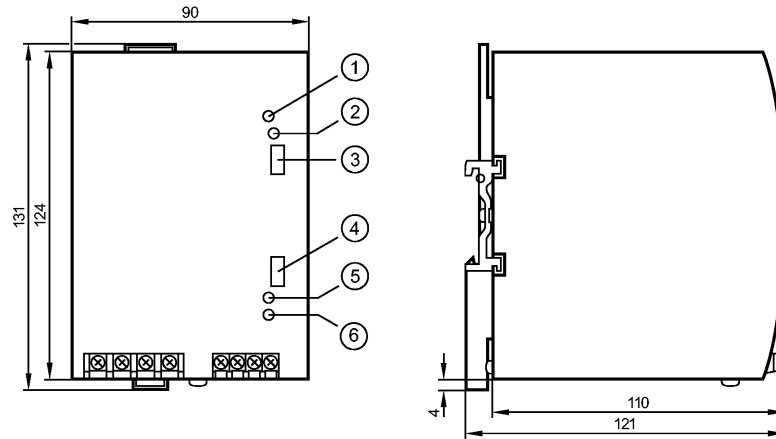
ecomat200

DN2033



POWER SUPPLY/24VDC/10A

Evaluation systems, power supplies



- 1: LED red
- 2: reset push button
- 3: jumper "overload performance"
- 4: Jumper "single/parallel operation"
- 5: potentiometer
- 6: LED green



Product characteristics

Switched-mode power supply 24 V DC

Primary switched mode

Overload performance selectable

Single or parallel operation

Output current 10 A, regulated

Application

Application regulated power supply for sensors, actuators, evaluation electronics and plcs

Electrical data

Input voltage range	[V]	340...576 AC / 450...820 DC
Nominal voltage	[V]	3 x 400...500 AC
Nominal frequency	[Hz]	47...63
Output voltage	[V]	24...28 DC ($\pm 2\%$ *) to SELV/PELV
Output current	[A]	10 (24 V / 240 W)
Residual ripple	[%]	< 0.1
Switch-on peak current	[A]	< 25
Efficiency	[%]	90 (400 V AC, 24 V / 10 A)
Short-circuit protection		yes
Overload protection		yes
Derating	[W/K]	12 (60...70 °C)
Mains buffering time	[ms]	> 24
Protection class		I
Power-on delay time max.	[ms]	20
Overvoltage protection (OVP)	[V]	35
Outputs		
Output		Output current 10 A, regulated
Environment		
Ambient temperature	[°C]	0...70
Protection		IP 20

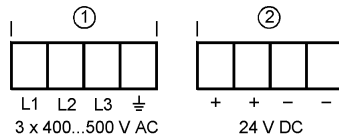
Tests / approvals

DN2033 - Switched-mode power supply 24 V DC - eclass: 27049002 / 27-04-90-02

EMC		EN 50081-1 EN 61000-6-2
MTTF	[Years]	155
Mechanical data		
Housing materials		aluminum
Installation		rail TH35 (to EN 60715)
Weight	[kg]	1.145
Displays / operating elements		
Function display	LED	green: output voltage; red: lights for overload, flashes for short circuit
Electrical connection		
Connection		terminals 1.5 up to 6 mm ²

Wiring

1: primary, 2: secondary



Remarks

Remarks

*) adjustable

Protection class according to IEC 61140

Pack quantity

[piece]

1

Other data

Overload performance

Selectable by front jumper.
In "ON" position the unit switches off after typ. 4 s of overload (red LED lit).
Reset by front push button or disconnection from supply > 1 min.