

New generation available: DN1023
 Article discontinued as of 31.March 2017

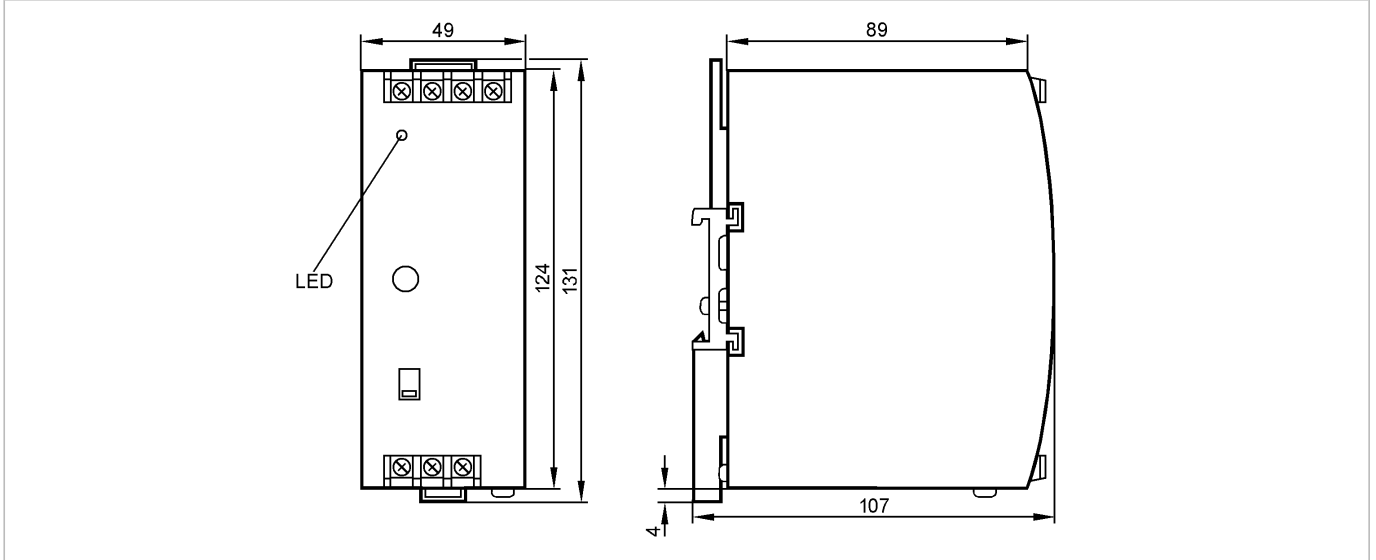
ecomat200

DN2021



POWER SUPPLY/12VDC/3A

Evaluation systems, power supplies



Product characteristics

Switched-mode power supply 12 V DC

Primary switched mode

Output current 3 A, regulated

Application

Application

regulated power supply for sensors, actuators, evaluation electronics and plcs

Electrical data

Input voltage range [V]

85...132 AC / 176...264 AC

Nominal voltage [V]

115 / 230 AC

Nominal frequency [Hz]

47...63

Output voltage [V]

12...15 DC ($\pm 2\%$ *)
to SELV/PELV

Output current [A]

3

Residual ripple [%]

< 0.2

Switch-on peak current [A]

< 25

Efficiency [%]

87

Short-circuit protection

yes

Overload protection

yes

Power-on delay time [ms]

< 20

Derating [W/K]

1.5 (60...70 °C)

Mains buffering time [ms]

> 20

Protection class

I

Overvoltage protection (OVP) [V]

21

Outputs

Output

Output current 3 A, regulated

Environment

Ambient temperature [°C]

-10...60

Protection

IP 20

Tests / approvals

EMC

EN 50081-1
EN 61000-6-2

MTTF [Years]

290

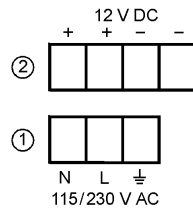
Mechanical data

DN2021 - Switched-mode power supply 12 V DC - eclass: 27049002 / 27-04-90-02

Housing materials	aluminum
Installation	rail TH35 (to EN 60715)
Weight [kg]	0.511
Displays / operating elements	
Function display LED	green: output voltage
Electrical connection	
Connection	terminals 1.5 up to 6 mm ²

Wiring

1: primary, 2: secondary



Remarks

Remarks

*) adjustable

Protection class according to IEC 61140

Pack quantity

[piece]

1

ifm efector, inc. • 1100 Atwater Drive • Malvern • PA 19355 — We reserve the right to make technical alterations without prior notice. — US — DN2021 — 26.11.2004

New generation available: DN1023

Article discontinued as of 31.March 2017