

no longer available - archive entry replaced by: DN4013

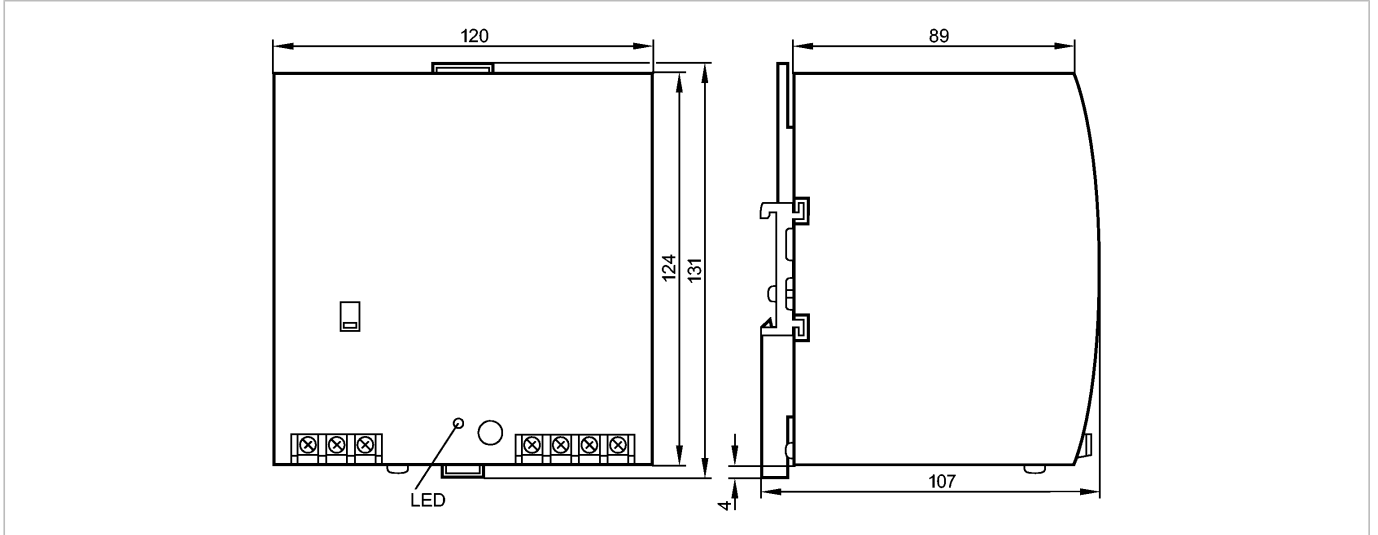
**ecomat200**

DN2013



POWER SUPPLY/24VDC/10A

Evaluation systems, power supplies



Product characteristics

Switched-mode power supply 24 V DC

Primary switched mode

Output current 10 A, regulated

Application

Application regulated power supply for sensors, actuators, evaluation electronics and plcs

Electrical data

Input voltage range [V]	85...132 AC / 176...264 AC, 240...375 DC
Nominal voltage [V]	115 / 230 AC
Nominal frequency [Hz]	47...63
Output voltage [V]	24...28 DC ( $\pm 2\%$ *) to SELV/PELV
Output current [A]	10
Residual ripple [mV]	< 30
Switch-on peak current [A]	< 30
Efficiency [%]	90
Short-circuit protection	yes
Overload protection	yes
Power-on delay time [ms]	< 20
Derating [W/K]	12 (60...70 °C)
Mains buffering time [ms]	> 20
Protection class	I
Overtoltage protection (OVP) [V]	29

Outputs

Output Output current 10 A, regulated

Environment

Ambient temperature [°C] -10...60

Protection

Protection IP 20

Tests / approvals

EMC EN 50081-1  
EN 61000-6-1  
EN 61000-6-2  
EN 61000-6-4

MTTF [Years] 195

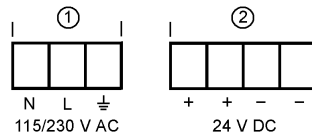
Mechanical data

# DN2013 - Switched-mode power supply 24 V DC - eclass: 27049002 / 27-04-90-02

Housing materials	aluminum
Installation	rail TH35 (to EN 60715)
Weight [kg]	1.11
Displays / operating elements	
Function display LED	green: output voltage
Electrical connection	
Connection	terminals 1.5 up to 6 mm <sup>2</sup>

## Wiring

1: primary, 2: secondary



Remarks

Remarks

\*) adjustable

Protection class according to IEC 61140

Pack quantity

[piece]

1

ifm efector, inc. • 1100 Atwater Drive • Malvern • PA 19355 — We reserve the right to make technical alterations without prior notice. — US — DN2013 — 21.08.2012  
no longer available - archive entryreplaced by: DN4013