

no longer available - archive entry replaced by: DN0200

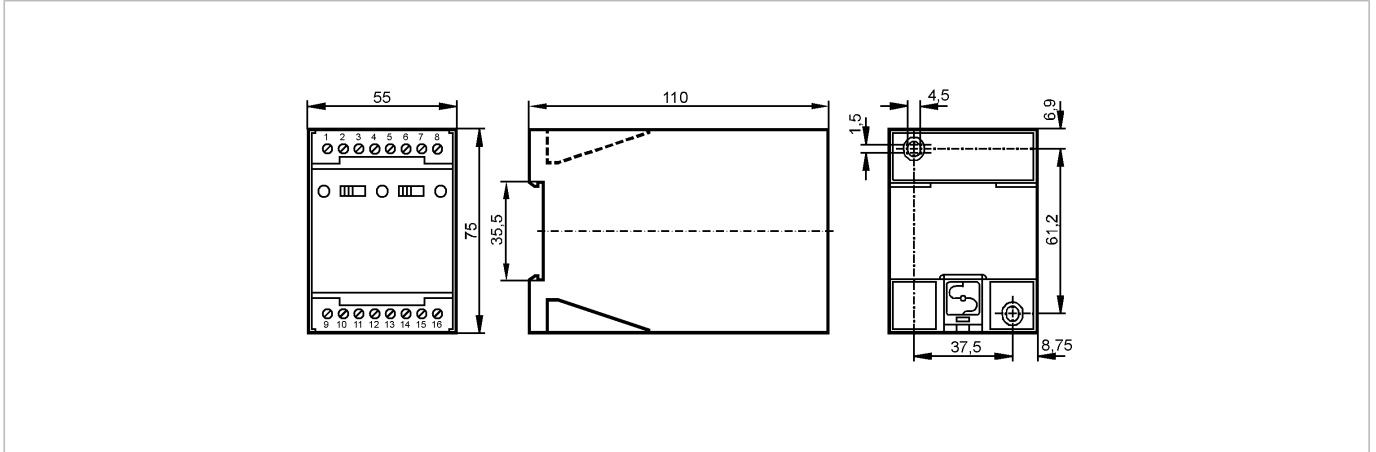
ecomat200

DN0213



N600/110VAC/0.08A

Evaluation systems, power supplies



Product characteristics

Amplifier

N600

Housing for DIN rail mounting

2-channel

selectable for pnp and npn switching sensors

Application

Application

power supply and signal evaluation (e.g. for sensors)

Switching function

F1/F2, with slide switch

Switching output

relay (1 changeover contact per channel)

Electrical data

Nominal voltage [V]

110 AC (47...63 Hz)

Voltage tolerance [%]

± 10

Sensor supply [V]

24 DC; ±5% (max. 40 mA)

Outputs

Relay

Contact rating

4 A / 625 VA / 250 V AC

Switching frequency [Hz]

10

Environment

Ambient temperature [°C]

0...50

Protection housing / terminals

IP 40 / IP 20

Mechanical data

Housing materials

plastics

Weight [kg]

0.427

Displays / operating elements

Power LED

green

Output status indication LED

green (lights when the output relay is energised)

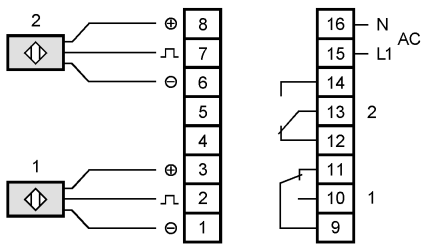
Electrical connection

Connection

terminals up to 4 mm²

Wiring

DN0213 - Amplifier - eclass: 27049002 / 27-04-90-02



Remarks

Pack quantity [piece] 1

ifm efector, inc. • 1100 Atwater Drive • Malvern • PA 19355 — We reserve the right to make technical alterations without prior notice. — US — DN0213 — 06.03.2003
no longer available - archive entryreplaced by: DN0200