

no longer available - archive entry replaced by: DN0210
 Article discontinued as of 31.March 2015

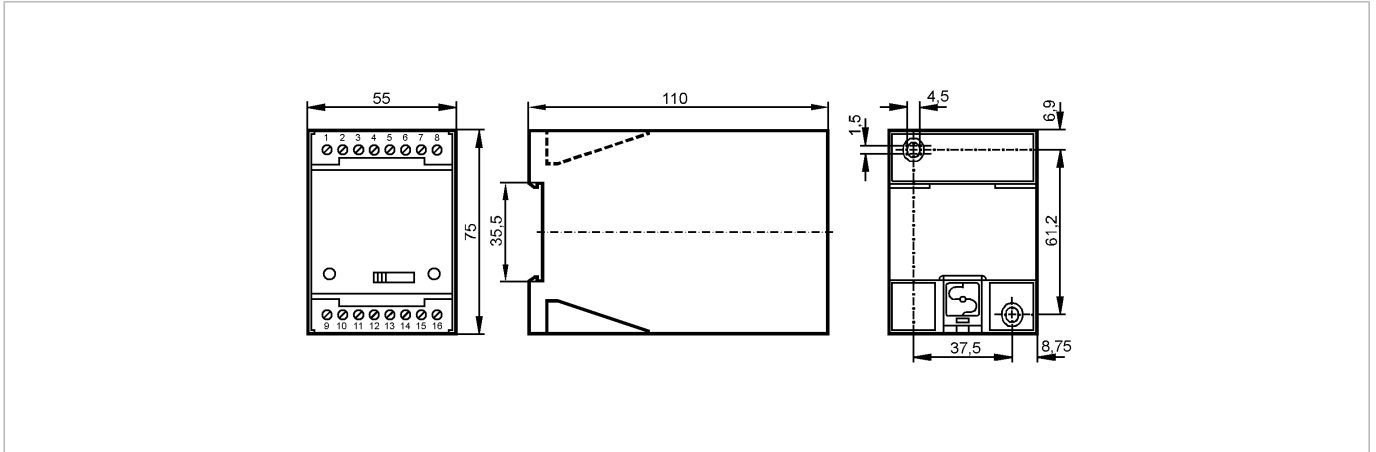
ecomat200

DN0012



N600/110VAC/0.1A

Evaluation systems, power supplies



Product characteristics

Amplifier

N600

Housing for DIN rail mounting

1-channel

selectable for pnp and npn switching sensors

Application

Application

power supply and signal evaluation (e.g. for sensors)

Switching output

relay (1 changeover contact)

Electrical data

Nominal voltage [V]

110 AC (47...63 Hz)

Voltage tolerance [%]

± 10

Sensor supply [V]

24 DC ±5% (max. 100 mA)

Outputs

Relay

Contact rating

8 A / 1250 VA / 250 V AC

Switching frequency [Hz]

10

Measuring / setting range

Setting

F1-F4, with 4-step slide switch

Possible settings

function 1: for the connection of NPN switching sensors
 function 2: even without input signal the relay is energized
 function 3: for the connection of PNP switching sensors
 function 4: even without input signal the relay is de-energized
 (note: functions 2 and 4 can be set to simulate the sensor signal)

Environment

Ambient temperature [°C]

0...50

Protection housing / terminals

IP 40 / IP 20

Safety classification

MTTF

1369

Mechanical data

Housing materials

plastics

Weight [kg]

0.43

Displays / operating elements

Power LED

green

Output status indication LED

red (lights when the output relay is energised)

Electrical connection

Connection

terminals up to 4 mm²

