

no longer available - archive entry replaced by: DD0203
 Article discontinued as of 31.March 2015

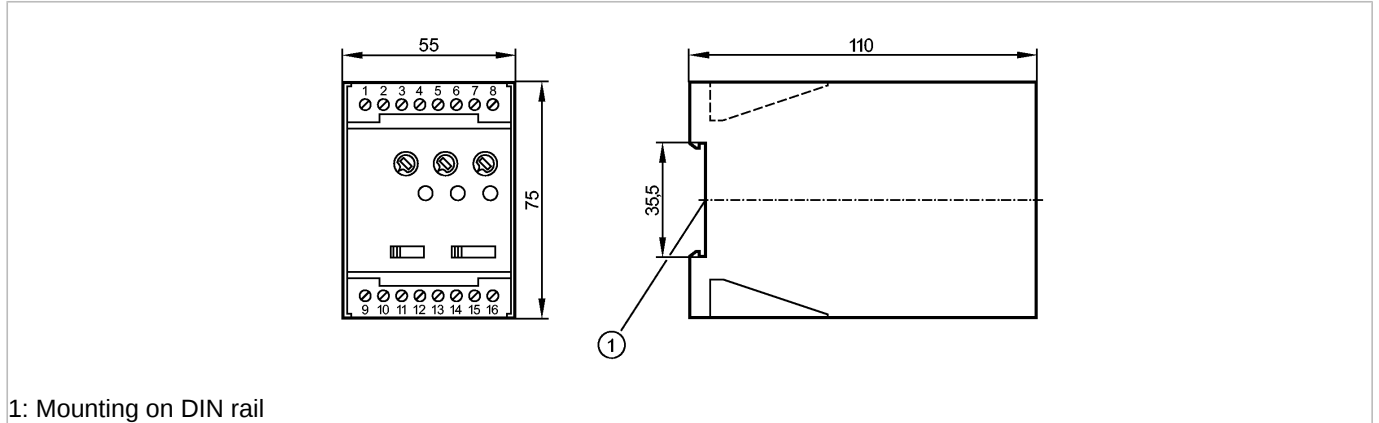
ecomat200

DD0122



D100/ 27-60VAC/DC

Evaluation systems, power supplies



1: Mounting on DIN rail



Product characteristics

Speed monitor

D100

Housing for DIN rail mounting

relay and transistor output

Application

Application

evaluation of pulse sequences with regard to overspeed and underspeed; rotational speed monitoring

Switching function

F1-F4, with 4-step slide switch

Switching output

1 relay (1 changeover contact); transistor output (pnp / 24 V DC; $\pm 20\%$ / 200 mA)

Electrical data

Nominal voltage [V]

27...60 AC/DC (50...60 Hz) / 27 DC (typ. 24 DC)

Voltage tolerance [%]

-20...+10

Power consumption [VA]

5

Sensor supply [V]

24 DC (max. 30mA)

Inputs

Input frequency (max.) [pulses/min]

15000 (250 Hz)

Outputs

Relay

Contact rating

6 A (250 V AC); B300, R300

Measuring / setting range

Setting range [pulses/min.]

5...5000

Adjustment of the switch point

3 ranges preselectable, fine adjustment with potentiometer

Hysteresis [% of Sp]

5...100

Start-up delay [s]

0.5...15

Accuracy / deviations

Repeatability [% / Sp]

1

Environment

Ambient temperature [°C]

-20...70

Protection housing / terminals

IP 40 / IP 20

Safety classification

MTTF [a]

308

Mechanical data

Housing materials

plastics

Weight [kg]

0.29

Displays / operating elements

Power LED

green

Input pulses LED

yellow

DD0122 - Speed monitor - eclass: 27230220 / 27-23-02-20

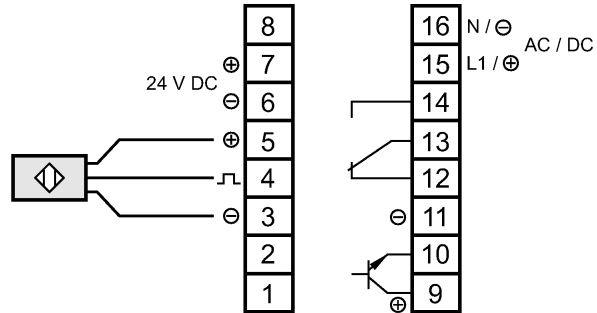
Output status indication LED | green (lights when the output relay is energised)

Electrical connection

Connection | 16 terminals...2.5 mm² (AWG 14)

Wiring

- 01: n.c.
- 02: n.c.
- 03: DC Sensor supply (-)
- 04: sensor signal pnp
- 05: DC Sensor supply (+)
- 06: DC Supply voltage (-)
- 07: DC Supply voltage (+)
- 08: n.c.
- 09: transistor output supply (+)
- 10: transistor output pnp
- 11: transistor output supply (-)
- 12: Relay (normally closed)
- 13: Relay (common)
- 14: Relay (normally open)
- 15: AC/DC Supply voltage (L/+)
- 16: AC/DC Supply voltage (N/-)



n.c. = not connected

Remarks

Pack quantity [piece] | 1

ifm efector, inc. • 1100 Atwater Drive • Malvern • PA 19355 — We reserve the right to make technical alterations without prior notice. — US — DD0122 — 10.12.2014
 no longer available - archive entry replaced by: DD0203
 Article discontinued as of 31.March 2015