

no longer available - archive entryDiscontinued article

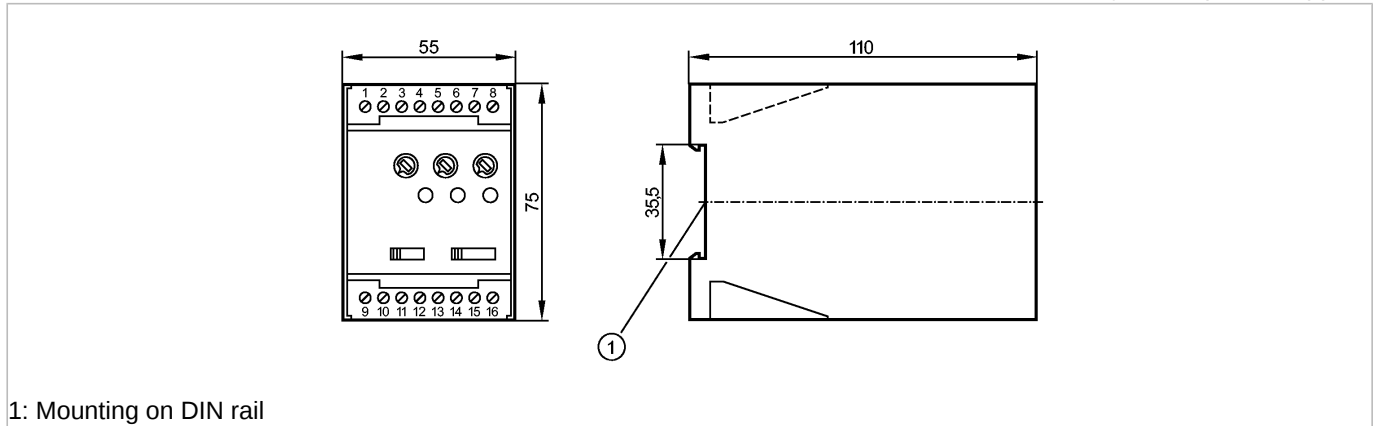
ecomat200

DD0026



D100/230VAC/2 RELAIS

Evaluation systems, power supplies



1: Mounting on DIN rail



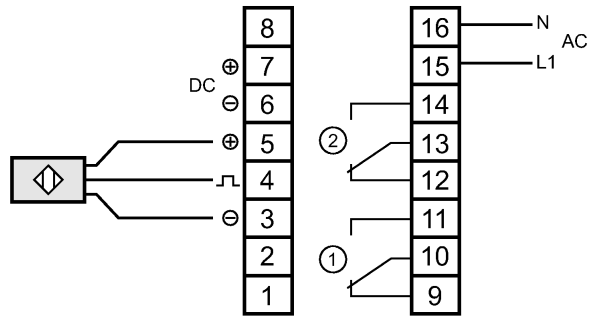
Product characteristics

Speed monitor	
D100 *)	
Housing for DIN rail mounting	
Application	evaluation of pulse sequences with special demands on function and technology *)
Switching function	F1-F4, with 4-step slide switch
Switching output	1 output relay with 2 changeover contacts
Electrical data	
Nominal voltage [V]	230 AC (50...60 Hz) / 24 DC
Voltage tolerance [%]	± 10
Sensor supply [V]	24 DC (max. 30mA)
Inputs	
Input frequency (max.) [pulses/min]	15000 (250 Hz)
Outputs	
Relay	
Contact rating	8 A / 1250 VA / 250 V AC
Measuring / setting range	
Setting range [pulses/min.]	5...5000
Adjustment of the switch point	3 ranges preselectable, fine adjustment with potentiometer
Hysteresis [% of Sp]	5...100
Start-up delay [s]	0.5...15
Accuracy / deviations	
Repeatability [% / Sp]	1
Environment	
Ambient temperature [°C]	-20...70
Protection housing / terminals	IP 40 / IP 20
Safety classification	
MTTF [a]	466
Mechanical data	
Housing materials	plastics
Weight [kg]	0.423
Displays / operating elements	
Power LED	green
Input pulses LED	yellow
Output status indication LED	green (lights when the output relay is energised)
Electrical connection	
Connection	16 terminals...2.5 mm ²

Wiring

DD0026 - Speed monitor - eclass: 27230220 / 27-23-02-20

- 01: n.c.
- 02: n.c.
- 03: DC Sensor supply (-)
- 04: sensor signal pnp
- 05: DC Sensor supply (+)
- 06: DC Supply voltage (-)
- 07: DC Supply voltage (+)
- 08: n.c.
- 09: Relay 1 (normally closed)
- 10: Relay 1 (common)
- 11: Relay 1 (normally open)
- 12: Relay 2 (normally closed)
- 13: Relay 2 (common)
- 14: Relay 2 (normally open)
- 15: AC Supply voltage (L)
- 16: AC Supply voltage (N)



n.c. = not connected

Remarks	
Remarks	*) special design
Pack quantity [piece]	1

ifm efector, inc. • 1100 Atwater Drive • Malvern • PA 19355 — We reserve the right to make technical alterations without prior notice. — US — DD0026 — 10.12.2014
 no longer available - archive entryDiscontinued article