

no longer available - archive entry

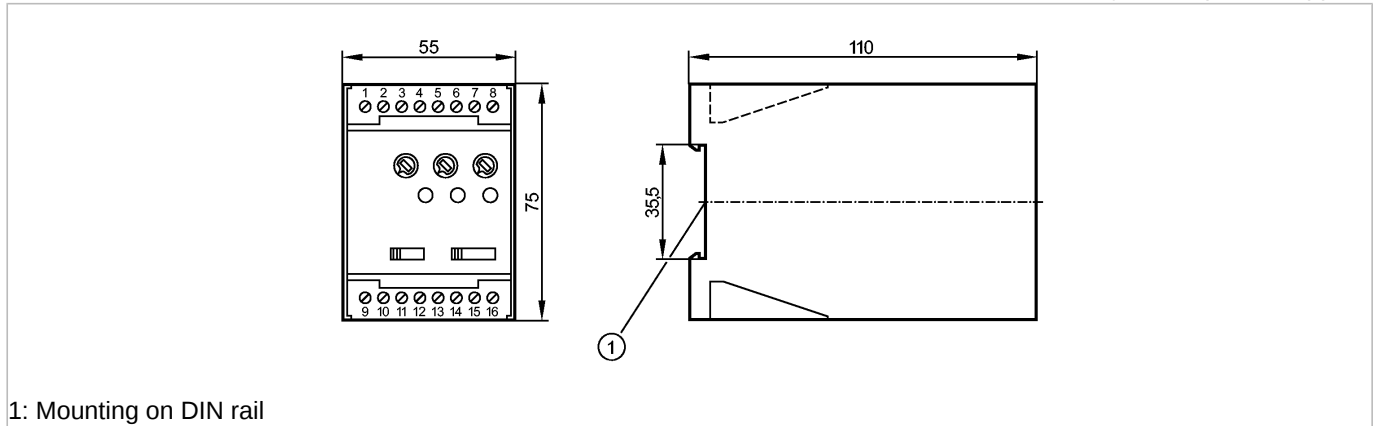
ecomat200

DD0015



D100/110VAC

Evaluation systems, power supplies



1: Mounting on DIN rail



Product characteristics

Speed monitor

D100

Housing for DIN rail mounting

Application

Application

evaluation of pulse sequences with regard to overspeed and underspeed; rotational speed monitoring

Switching function

F1-F4, with 4-step slide switch

Switching output

relay (1 changeover contact)

Electrical data

Nominal voltage [V]

110 AC (50...60 Hz) / 24 DC

Voltage tolerance [%]

± 10

Sensor supply [V]

24 DC (max. 30mA)

Inputs

Input frequency (max.) [pulses/min]

15000 (250 Hz)

Outputs

Relay

Contact rating

8 A / 1250 VA / 250 V AC

Measuring / setting range

Setting range [pulses/min.]

5...5000

Adjustment of the switch point

3 ranges preselectable, fine adjustment with potentiometer

Hysteresis [% of Sp]

5...100

Start-up delay [s]

0.5...15

Accuracy / deviations

Repeatability [% / Sp]

1

Environment

Ambient temperature [°C]

-20...70

Protection housing / terminals

IP 40 / IP 20

Mechanical data

Housing materials

plastics

Weight [kg]

0.418

Displays / operating elements

Power LED

green

Input pulses LED

yellow

Output status indication LED

green (lights when the output relay is energised)

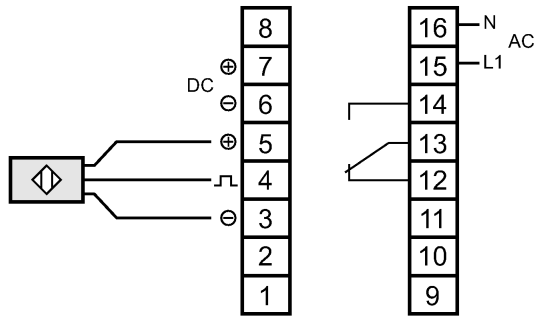
Electrical connection

Connection

16 terminals...2.5 mm²

Wiring

DD0015 - Speed monitor - eclass: 27230220 / 27-23-02-20



Remarks

Pack quantity [piece] 1

ifm efector, inc. • 1100 Atwater Drive • Malvern • PA 19355 — We reserve the right to make technical alterations without prior notice. — US — DD0015 — 06.03.2003
no longer available - archive entry