



Model Number

DA5-IU-2K-C

Process control and indication equipment

Features

- 2 adjustable trip values
- 2 relay outputs
- Operation via keypad
- Programmable characteristics
- Resetting the outputs, automatic, manual or with external signal
- Connection via plug-in screw terminals
- Auxiliary power output for sensors (Only DA5-IU-2K-V)
- Protection degree IP65 in accordance with DIN EN 60529 (front only)
- Shock resistance in accordance with DIN EN 60068-2-27
- Vibration resistance in accordance with DIN EN 60068-2-6
- System hum suppression

Technical data

General specifications

Pre-selection	2-fold
Data storage	10 ⁶ storage cycles or 10 years, EEPROM
Programming	keypad-driven menu

Functional safety related parameters

MTTF _d	550 a
Mission Time (T _M)	10 a
Diagnostic Coverage (DC)	0 %

Indicators/operating means

Type	7-segment LED display, red
Number of digits	5
Display value	digit height 14.2 mm
Pre-selection	digit height 14.2 mm
Key interlock	with "high"-level at terminal "KEY"
Display interval	-19999 ... 99999
Decimal point	freely adjustable
Resolution	14 Bit
Scale factor	via characteristic curve with up to 24 value pairs
Reset	manually or external

Electrical specifications

Operating voltage	U _B	10 ... 30 V DC
Power consumption	P ₀	2 W

Input

Impedance	> 1 MΩ for voltage measurement < 50 Ω for current measurement
Analog voltage input	0 ... 10 V / 2 ... 10 V DC, -10 ... 10 V DC
Analog current input	0 ... 20 mA / 4 ... 20 mA

Output

Relay	2 x 250 V AC/ 300 V DC, 3 A, changeover contact
-------	---

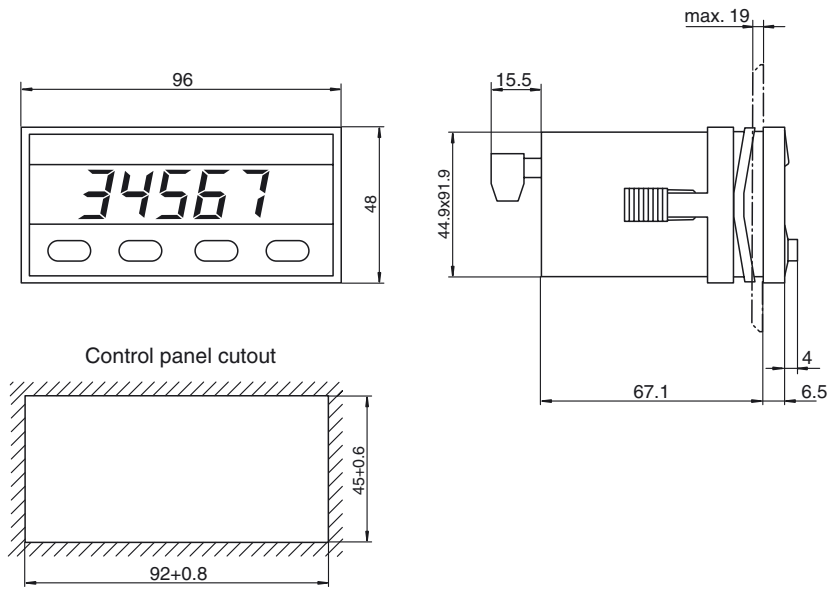
Ambient conditions

Ambient temperature	-10 ... 50 °C (14 ... 122 °F)
Storage temperature	-25 ... 70 °C (-13 ... 158 °F)
Relative humidity	≤ 80 % (noncondensing)

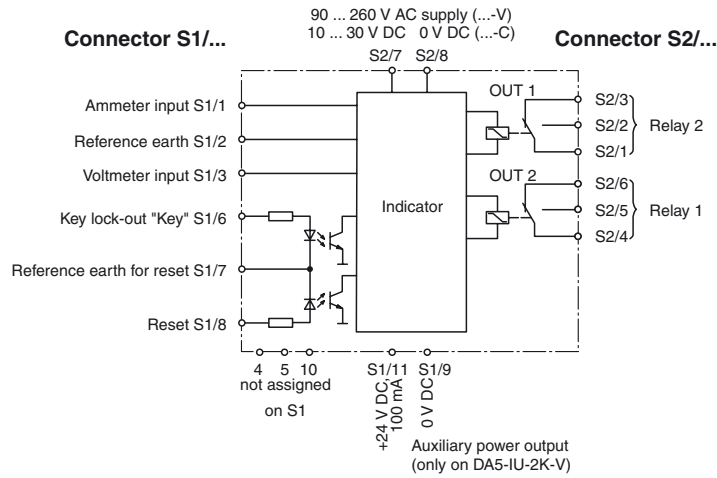
Mechanical specifications

Connection	8-pin and 11-pin connectors with plug-in screw terminals
Mass	220 g
Dimensions	96 mm x 48 mm x 90 mm
Mounting	mounting frame with latch fastener

Dimensions



Electrical connection



Release date: 2012-02-03 16:33 Date of issue: 2012-02-13 104881_eng.xml