

no longer available - archive entry replaced by: DD0203
 Article discontinued as of 31.March 2015

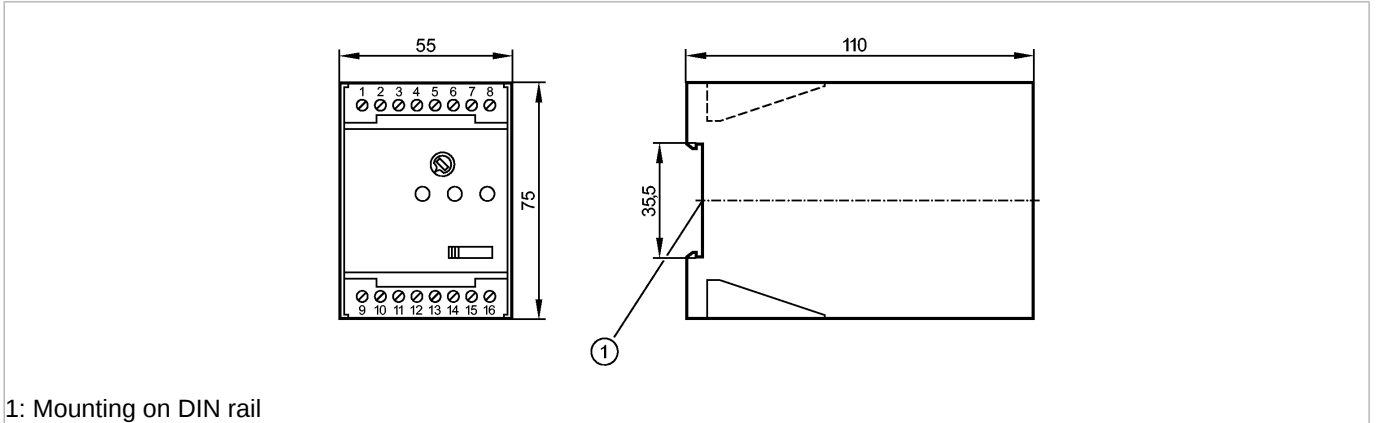
ecomat200

DA0116



A300/110-240VAC/DC

Evaluation systems, power supplies



1: Mounting on DIN rail



Product characteristics

Standstill monitor

A300

Housing for DIN rail mounting

relay and transistor output

Application

Application

Switching function

Switching output

Electrical data

Nominal voltage [V]

Voltage tolerance [%]

Power consumption [VA]

Sensor supply [V]

Inputs

Digital

Input frequency (max.) [pulses/min]

Outputs

Relay

Relay

Contact rating

Digital

Measuring / setting range

Setting range [pulses/min.]

Adjustment of the switch point

Hysteresis [% of Sp]

Start-up delay [s]

Accuracy / deviations

Repeatability [% / Sp]

Environment

Ambient temperature [°C]

Protection housing / terminals

Safety classification

MTTF [a]

Mechanical data

Housing materials

Weight [kg]

Displays / operating elements

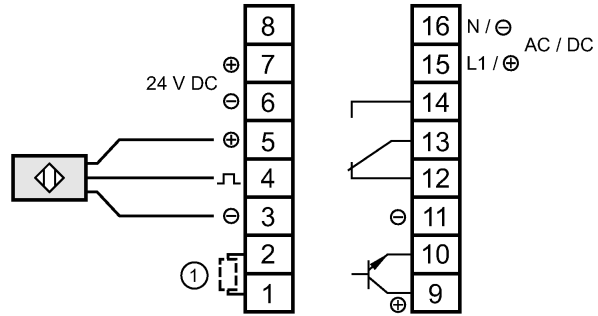
Application	Evaluation of pulse sequences with regard to underspeed or missing pulse
Switching function	F1/F2, with slide switch
Switching output	1 relay (1 changeover contact); transistor output (pnp / 24 V DC; ± 20 % / 200 mA)
Nominal voltage [V]	110...240 AC/DC (50...60 Hz) / 27 DC (typ. 24 DC)
Voltage tolerance [%]	-20...+10
Power consumption [VA]	4
Sensor supply [V]	24 DC (max. 30mA)
Digital	1
Input frequency (max.) [pulses/min]	15000 (250 Hz)
Relay	1
Contact rating	6 A (250 V AC); B300, R300
Digital	1
Setting range [pulses/min.]	5...25 / 20...100
Adjustment of the switch point	fine adjustment within the ranges with potentiometer
Hysteresis [% of Sp]	5 *)
Start-up delay [s]	15 **)
Repeatability [% / Sp]	3
Ambient temperature [°C]	0...50
Protection housing / terminals	IP 40 / IP 20
MTTF [a]	352
Housing materials	plastics
Weight [kg]	0.286

DA0116 - Standstill monitor - eclass: 27371811 / 27-37-18-11

Power	LED	green
Input pulses	LED	yellow
Output status indication	LED	green (lights when the output relay is energised)
Electrical connection	16 terminals...2.5 mm ² (AWG 14)	

Wiring

- 01: Resistor 0.1...3.9 MOhm
- 02: Resistor 0.1...3.9 MOhm
- 03: DC Sensor supply (-)
- 04: sensor signal pnp
- 05: DC Sensor supply (+)
- 06: DC Supply voltage (-)
- 07: DC Supply voltage (+)
- 08: n.c.
- 09: supply transistor output (+)
- 10: transistor output pnp
- 11: supply transistor output (-)
- 12: Relay (normally closed)
- 13: Relay (common)
- 14: Relay (normally open)
- 15: AC/DC Supply voltage (L/+)
- 16: AC/DC Supply voltage (N/-)



n.c. = not connected

1: External resistor to reduce the start-up delay time

Remarks	
Remarks	<p>*) fixed</p> <p>**) reduction by means of external resistor (100 kOhm = 2 s / 3.9 MOhm = 14 s)</p>
Pack quantity	[piece] 1

ifm efector, inc. • 1100 Atwater Drive • Malvern • PA 19355 — We reserve the right to make technical alterations without prior notice. — US — DA0116 — 04.08.2005
 no longer available - archive entry replaced by: DD0203

Article discontinued as of 31.March 2015