

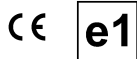
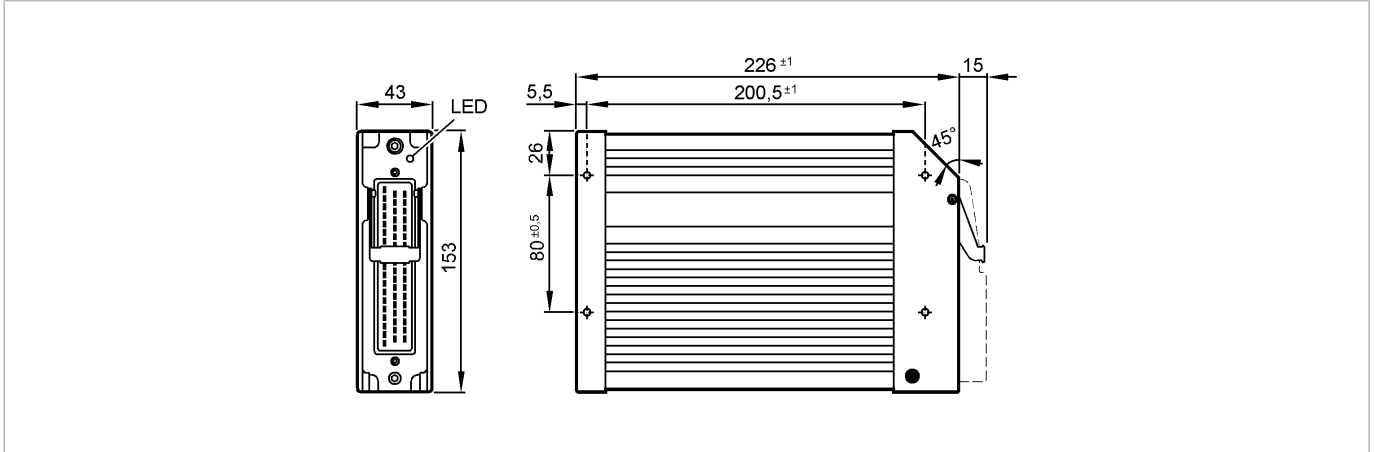
no longer available - archive entryreplaced by: CR7021

**ecomat100**  
CR7020



R360/Safety Controller II

Control systems for mobile vehicles



Product characteristics

Datasheet in PDF format: [CR7020.pdf](#)

SafetyController

Programmable mobile controller  
type R 360

for safety applications

SK3 to EN 954-1

2 nd CAN interface for gateway function according to SAE J 1939

Programming according to IEC 61131-3

40 inputs/outputs

10...32 V DC

Mechanical data

Weight [kg] 1.625

Remarks

Pack quantity [piece] 1

ifm efector, inc. • 1100 Atwater Drive • Malvern • PA 19355 — We reserve the right to make technical alterations without prior notice. — US — CR7020 — 24.06.2008

no longer available - archive entryreplaced by: CR7021