

no longer available - archive entryAlternative article: CR2512

When selecting an alternative article and accessories please note that technical data may differ!

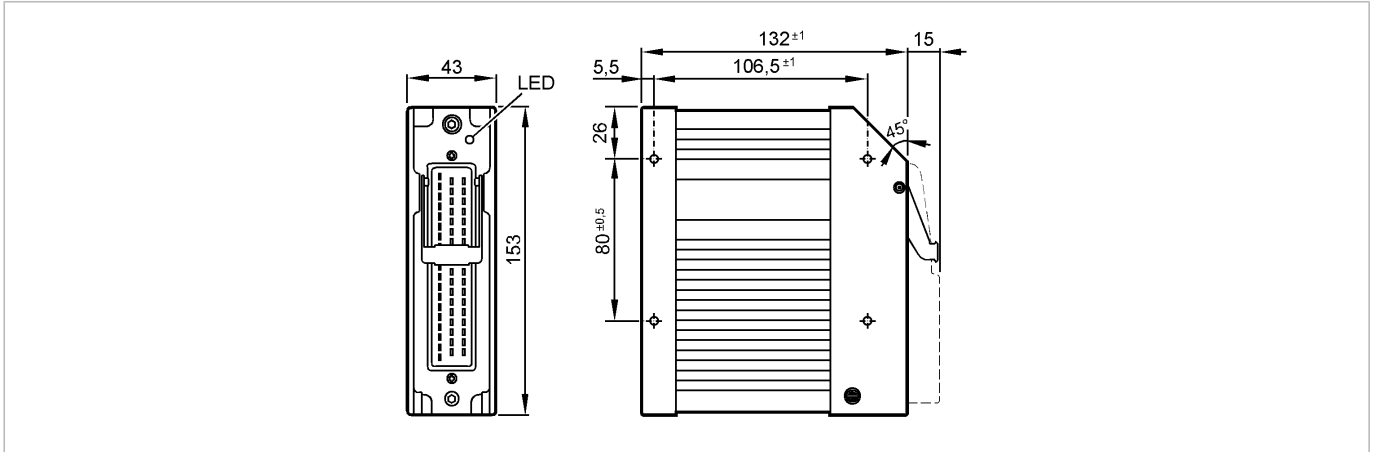
**ecomat100**

CR2511



R360/SmartModule/O/8

Control systems for mobile vehicles



Product characteristics

Datasheet in PDF format: [CR2511.pdf](#)

SmartModule	
Output module	
digital and PWM	
for R 360 systems	
CAN interface	
8 outputs	
Configurable output functions	
10...32 V DC	
Inputs / outputs	
Inputs / outputs total	8
Outputs	
Digital	8
PWM	8
PWM-I	8
Interfaces	
CAN	1
Tests / approvals	
MTTF [Years]	287
Mechanical data	
Weight [kg]	1.067
Electrical connection	
Connection	55-pole connec.
Remarks	
Pack quantity [piece]	1

ifm efector, inc. • 1100 Atwater Drive • Malvern • PA 19355 — We reserve the right to make technical alterations without prior notice. — US — CR2511 — 25.10.2012

no longer available - archive entryAlternative article: CR2512

When selecting an alternative article and accessories please note that technical data may differ!