

no longer available - archive entry

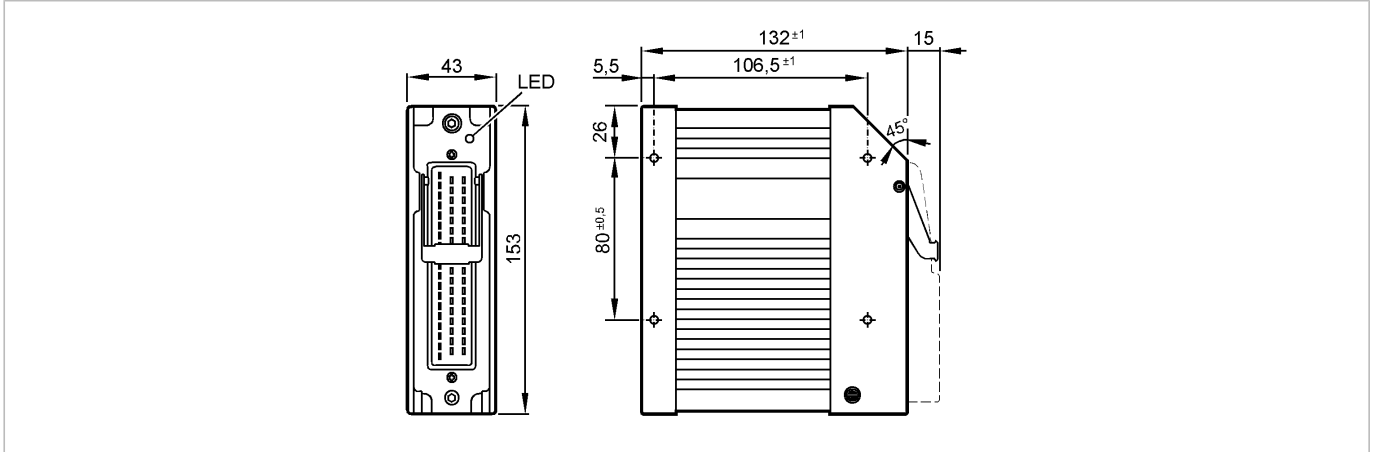
ecomat100

CR2501



R360/SMART CONTROL/11992

Control systems for mobile vehicles



Product characteristics

Datasheet in PDF format: [CR2501.pdf](#)

SmartController

Programmable mobile controller

type R 360

2 nd CAN interface for gateway function according to ISO 11992

Programming according to IEC 61131-3

8 inputs / 4 outputs

10...32 V DC

Mechanical data

Weight [kg] 1.034

Remarks

Pack quantity [piece] 1

ifm efector, inc. • 1100 Atwater Drive • Malvern • PA 19355 — We reserve the right to make technical alterations without prior notice. — US — CR2501 — 26.03.2009

no longer available - archive entry