

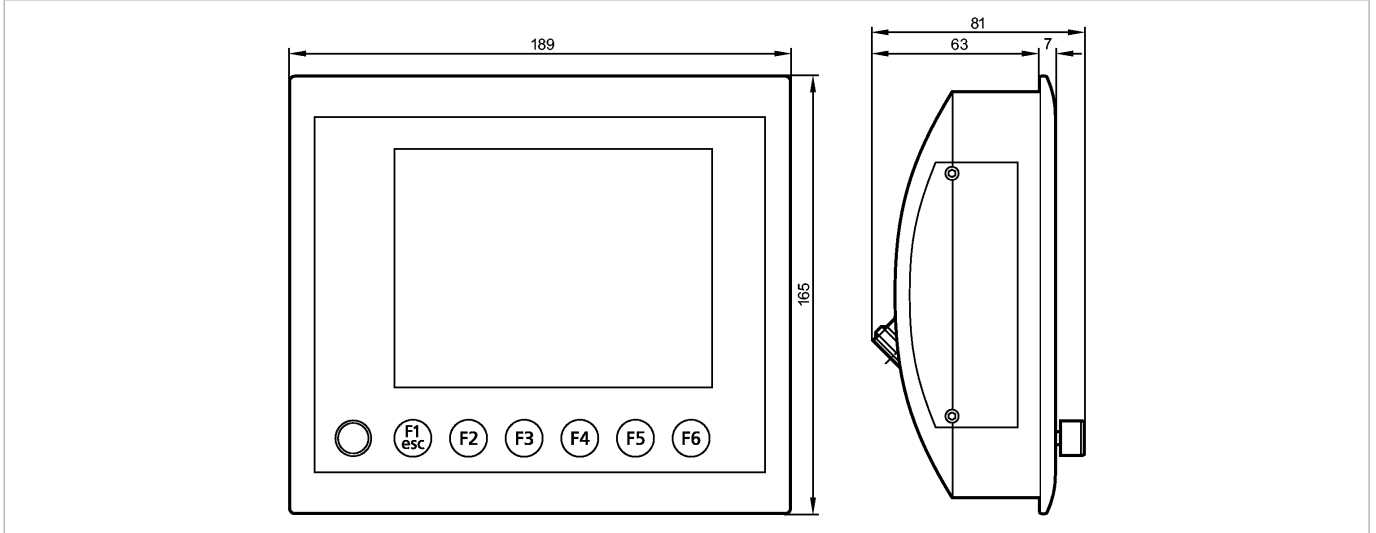
New generation available: CR1080
 Article discontinued as of 30. June 2017

ecomat100[®]
 CR1050



R360/PDM360/MONOCHROM

Control systems for mobile vehicles



Product characteristics

Datasheet in PDF format: CR1050.pdf

Process and dialogue module PDM360	
Programmable graphic display for controlling, parameter-setting and operation of mobile machines and plants	
5.7" monochrome display	
6 freely programmable backlit function keys	
Encoder with pushbutton	
Real-time clock	
Buzzer	
Programming according to IEC 61131-3	
10...32 V DC	
display	
Display	5.7" monochrome display
Resolution pixels [pixel]	320 x 240
Background lighting	LED
Interfaces	
CAN	2
Ethernet	1
RS-232	2
Mechanical data	
Type of mounting	panel/surf.
Weight [kg]	2.311
Displays / operating elements	
Operating elements	6 Pushbuttons 1 Encoder with pushbutton
Electrical connection	
Connection	M23 connector
Remarks	
Pack quantity [piece]	1