



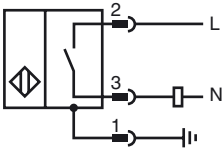
**Model Number**

CJ40-FP-W-P4-V12N.O.

**Features**

- 40 mm non-flush
- 2-wire AC

**Connection**



**Pinout**



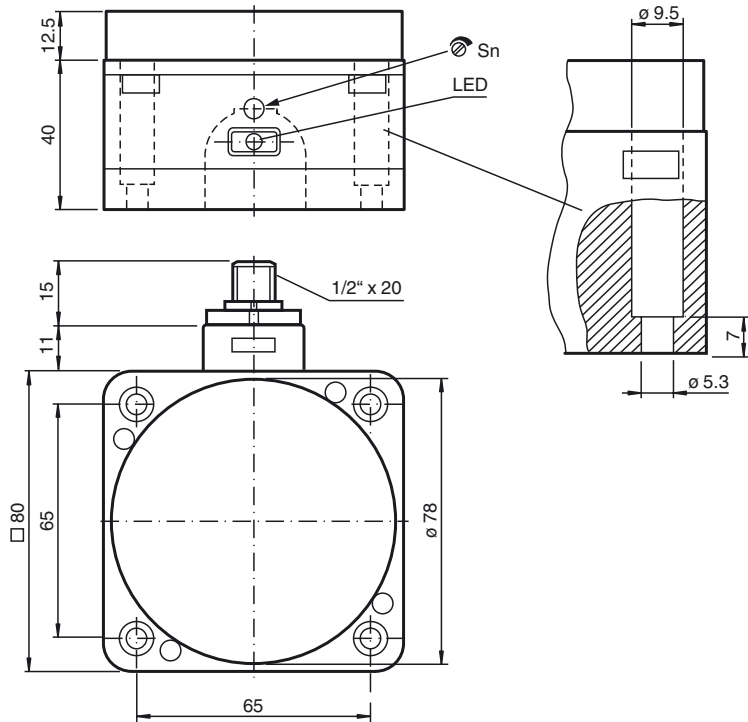
**Wire colors**

- |   |       |             |
|---|-------|-------------|
| 1 | GN    | (green)     |
| 2 | RD/BK | (red/black) |
| 3 | RD/WH | (red/white) |

**Accessories**

- V12-G-YE2M-PVC**  
Connecting cable, 1/2" - 20 UNF, 3-pin, PVC cable
- V12-W-YE2M-PVC**  
Connecting cable, 1/2" - 20 UNF, 3-pin, PVC cable

**Dimensions**



**Technical Data**

**General specifications**

Switching element function		AC normally open
Rated operating distance	$s_n$	40 mm
Installation		non-flush
Output polarity		AC
Assured operating distance	$s_a$	0 ... 32.4 mm

**Nominal ratings**

<b>Installation conditions</b>		
B		40 mm
C		80 mm
F		120 mm
Operating voltage	$U_B$	20 ... 250 V AC
Switching frequency	f	0 ... 10 Hz
Hysteresis	H	3 ... 20 % ( 10 % typical )
Reverse polarity protection		no
Short-circuit protection		no
Voltage drop	$U_d$	≤ 5 V AC
Momentary current (20 ms, 0.1 Hz)		0 ... 4000 mA
Operating current	$I_L$	10 ... 500 mA
Off-state current	$I_r$	0 ... 2.5 mA typ.

**Indicators/operating means**

LED green	Power on
LED red	Output status
Potentiometer	sensitivity adjustment

**Ambient conditions**

Ambient temperature	-25 ... 70 °C (-13 ... 158 °F)
---------------------	--------------------------------

**Mechanical specifications**

Connection type	V12 connector
Housing material	PBT
Sensing face	PBT
Housing base	metal
Protection degree	IP65
Note	<sup>1)</sup> In the temperature range below 0 °C, permissible operating voltage $U_B$ 80...253 V Safety fuse ≤ 1.5 A (quick-blow) according to IEC 60127-2 Sheet 1 Recommendation: after a short circuit, check that the device is functioning correctly.

**Compliance with standards and directives**

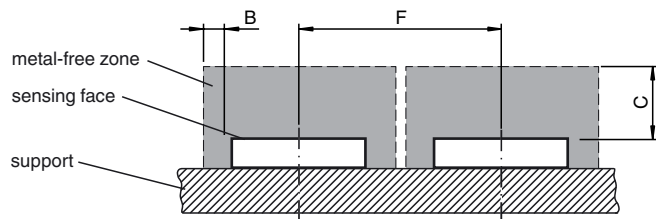
<b>Standard conformity</b>	
Standards	EN 60947-5-2:2007 IEC 60947-5-2:2007

**Approvals and certificates**

UL approval	cULus Listed, General Purpose
CSA approval	cCSAus Listed, General Purpose

Release date: 2013-04-09 12:06 Date of issue: 2013-04-09 093868\_eng.xml

Installation conditions



Release date: 2013-04-09 12:06 Date of issue: 2013-04-09 09:38:68\_eng.xml