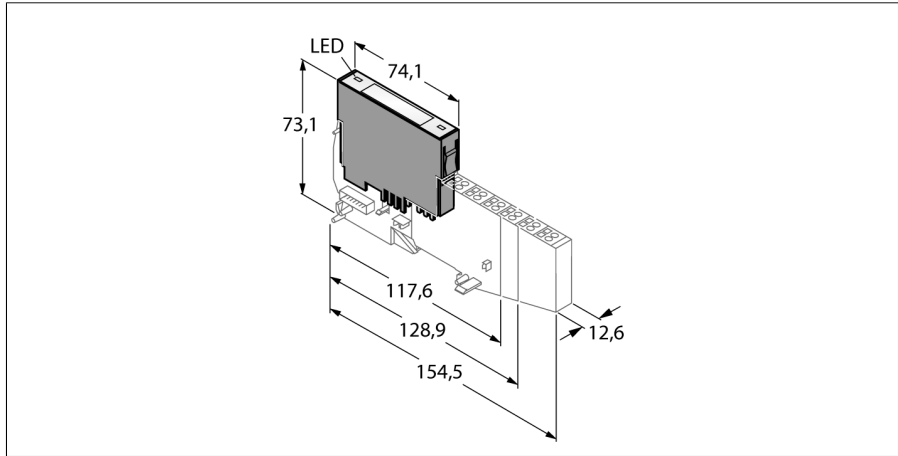


BL20 electronic module
Power feeding module with diagnostics function
BL20-PF-24VDC-D



- Fieldbus and connection technology independent
- Protection class IP20
- LEDs indicating system status, field supply and diagnostic information
- Can be used to form potential groups
- Supplies field with 24 VDC nominal voltage

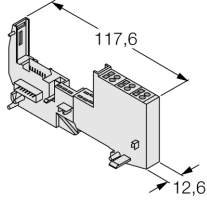
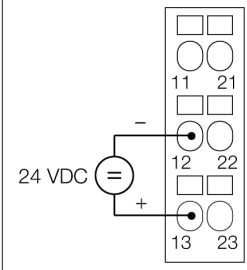
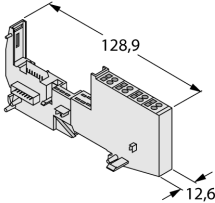
Functional principle

BL20 electronic modules are plugged into the purely passive base modules which are used for connection of field devices. Maintenance is significantly facilitated due to separation of the connection level from the module electronics. Furthermore flexibility is enhanced because the base modules provide a choice of tension spring or screw connection technology. The electronic modules are completely independent of the type of higher level field bus through the use of gateways.

Type designation	BL20-PF-24VDC-D
Ident no.	6827007
Field supply	24 VDC
Admissible range	18...30 VDC
Nominal current from module bus	≤ 28 mA
Max. field supply current	10 A
Connection technology	screw, tension spring
Number of diagnostic bits	4
Dimensions (W x L x H)	12.6 x 74.1 x 55.4mm
Approvals	CE, cULus, zone 2, Class I, Div. 2
Operating temperature	0...+55 °C
Storage temperature	-25...+85 °C
Relative humidity	5 to 95% (internal), Level RH-2, no condensation (at 45 °C storage)
Vibration test	acc. to EN 61131
Shock test	acc. to IEC 68-2-27
Drop and topple	acc. to IEC 68-2-31 and free fall to IEC 68-2-32
Electro-magnetic compatibility	acc. to EN 50,082-2
Protection class	IP20

BL20 electronic module
Power feeding module with diagnostics function
BL20-PF-24VDC-D

Compatible base modules

	Type	Pin configuration
	<p>BL20-P3T-SBB 6827036 Tension spring connection</p> <p>BL20-P3S-SBB 6827037 Screw connection</p>	<p>Wiring Diagram</p> 
	<p>BL20-P4T-SBBC 6827038 Tension spring connection, access to C rail</p> <p>BL20-P4S-SBBC 6827039 Screw connection, access to C rail</p>	<p>Wiring Diagram</p> 