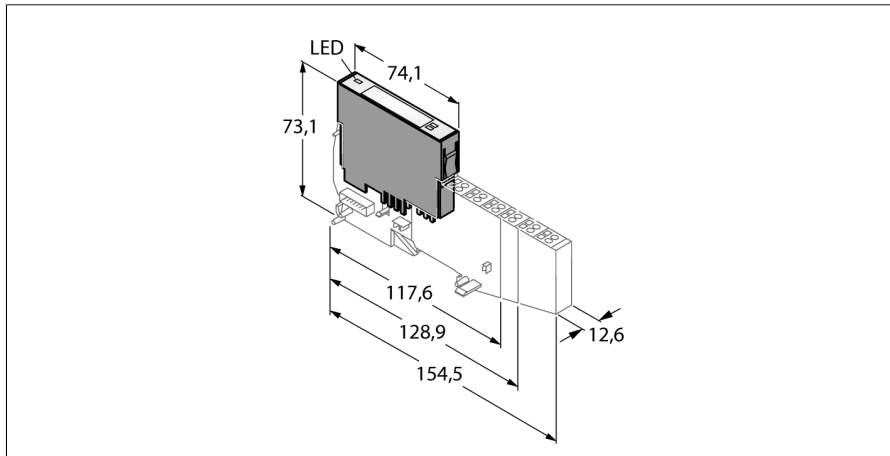


BL20 electronic module
2 Digital Outputs
BL20-2DO-24VDC-0.5A-P



- Fieldbus and connection technology independent
- Protection class IP20
- LEDs indicate status and diagnostic
- Electronics galvanically separated from the field level via optocouplers
- 2 digital outputs, 24 VDC
- Max. 0.5 A
- PNP switching

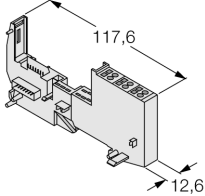
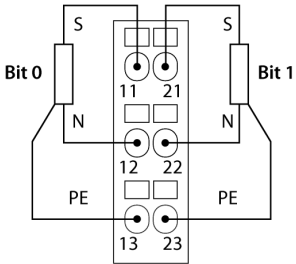
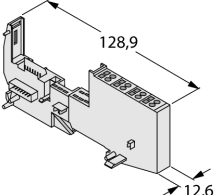
Functional principle

BL20 electronic modules are plugged into the purely passive base modules which are used for connection of field devices. Maintenance is significantly facilitated due to separation of the connection level from the module electronics. Furthermore flexibility is enhanced because the base modules provide a choice of tension spring or screw connection technology. The electronic modules are completely independent of the type of higher level field bus through the use of gateways.

Type designation	BL20-2DO-24VDC-0.5A-P
Ident no.	6827024
Number of channels	2
Rated voltage from the supply terminal	24 VDC
Nominal current from field supply	≤ 20 mA
Nominal current from module bus	≤ 32 mA
Power dissipation, typical	≤ 1 W
Connection technology	screw, tension spring
Outputs	
Output type	pnp
Output voltage	24 VDC
Output current per channel	0.5 A
Output delay	0.1 ms
Load type	resistive, inductive, lamp load
Load resistance, resistive	> 48 Ω
Load resistance, inductive	< 1.2 H
Lamp load	< 3 W
Switching frequency, resistive	< 5000 Hz
Switching frequency, lamp load	< 10 Hz
Short-circuit protection	yes
Simultaneity factor	1
Potential separation	electronics for the field level
Number of diagnostic bits	2
Dimensions (W x L x H)	12.6 x 74.1 x 55.4mm
Approvals	CE, cULus, zone 2, Class I, Div. 2
Operating temperature	0...+55 °C
Storage temperature	-25...+85 °C
Relative humidity	5 to 95% (internal), Level RH-2, no condensation (at 45 °C storage)
Vibration test	acc. to EN 61131
Shock test	acc. to IEC 68-2-27
Drop and topple	acc. to IEC 68-2-31 and free fall to IEC 68-2-32
Electro-magnetic compatibility	acc. to EN 50,082-2
Protection class	IP20

BL20 electronic module
2 Digital Outputs
BL20-2DO-24VDC-0.5A-P

Compatible base modules

	Type	Pin configuration
	<p>BL20-S3T-SBC 6827058 tension spring connection, access to C rail</p> <p>BL20-S3S-SBC 6827059 screw connection, access to C rail</p>	<p>Wiring Diagram</p> 
	<p>BL20-S4T-SBCS 6827063 tension spring connection, access to C rail</p> <p>BL20-S4S-SBCS 6827060 screw connection, access to C rail</p>	<p>Wiring Diagram</p> 