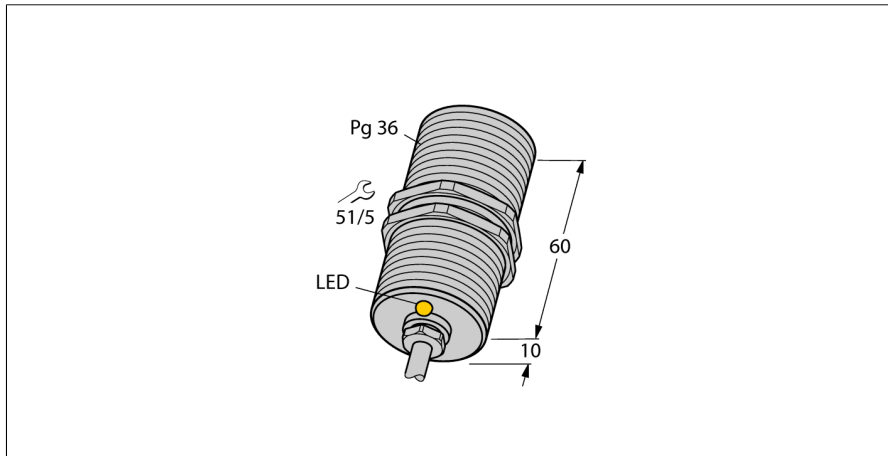


# Inductive sensor BI20-G47-AP4X

**TURCK**

Industrial  
Automation



- Threaded barrel, PG36
- Chrome-plated brass
- DC 3-wire, 10...65 VDC
- NO contact, PNP output
- Cable connection

### Wiring Diagram



### Functional principle

Inductive sensors detect metal objects contactless and wear-free. For this, they use a high-frequency electromagnetic AC field that interacts with the target. Inductive sensors generate this field via an RLC circuit with a ferrite coil.

<b>Type designation</b>	BI20-G47-AP4X
Ident no.	15645
<b>Rated switching distance S<sub>n</sub></b>	20 mm
Mounting conditions	Flush
Secured operating distance	≤ (0,81 x S <sub>n</sub> ) mm
Correction factors	St37 = 1; Al = 0.3; stainless steel = 0.7; Ms = 0.4
Repeat accuracy	≤ 2 % of full scale
Temperature drift	≤ ± 10 %
Hysteresis	3...15 %
Ambient temperature	-25...+70 °C
<b>Operating voltage</b>	10...65 VDC
Residual ripple	≤ 10 % U <sub>ss</sub>
DC rated operational current	≤ 200 mA
No-load current I <sub>0</sub>	≤ 15 mA
Residual current	≤ 0.1 mA
Isolation test voltage	≤ 0.5 kV
Short-circuit protection	yes/ Cyclic
Voltage drop at I <sub>0</sub>	≤ 1.8 V
Wire breakage/Reverse polarity protection	yes/ Complete
Output function	3-wire, NO contact, PNP
Reverse polarity protection	Complete
Switching frequency	0.1 kHz
<b>Design</b>	Threaded barrel, G47
Dimensions	70 mm
Housing material	Metal, CuZn, Chrome-plated
Active area material	Plastic, PA12-GF30
End cap	Plastic, PA66-GF25
Max. tightening torque housing nut	90 Nm
Electrical connection	Cable
Cable quality	6.3 mm, LiÖflex, Öflex®, 2m
Cable cross section	3 x 0.5 mm <sup>2</sup>
Vibration resistance	55 Hz (1 mm)
Shock resistance	30 g (11 ms)
Protection class	IP67
MTTF	2283 years acc. to SN 29500 (Ed. 99) 40 °C
<b>Switching state</b>	LED yellow

# Inductive sensor BI20-G47-AP4X

**TURCK**

Industrial  
Automation

---

Distance D	2 x B
Distance W	3 x Sn
Distance T	3 x B
Distance S	1.5 x B
Distance G	6 x Sn

---

Diameter active area B                       $\varnothing$  47 mm

---



# Inductive sensor BI20-G47-AP4X

**TURCK**

Industrial  
Automation

## Accessories

Type code	Ident no.	Description	
MW 47	69452	Mounting bracket; material: Steel plate, zinc-plated	