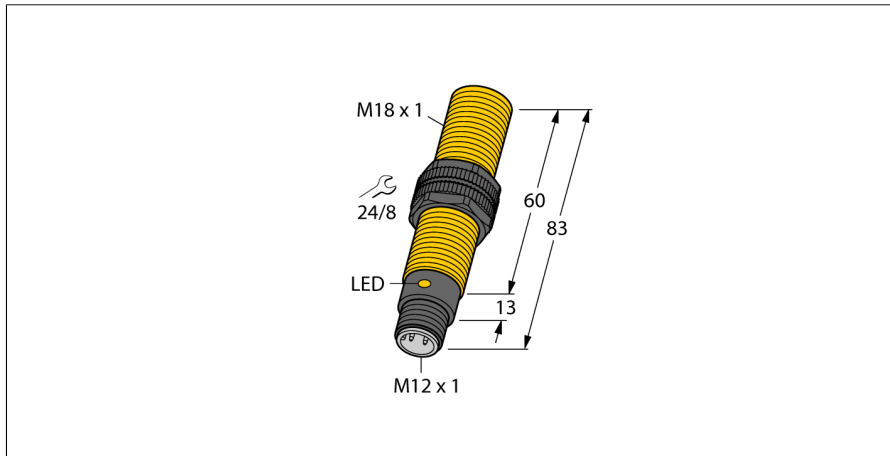
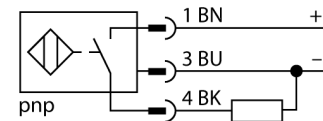


**Capacitive sensor**  
**BC5-S18-AP4X-H1141/S250**



- M18 × 1 threaded barrel
- Plastic, PA12-GF30
- Fixed settings
- DC 3-wire, 10...65 VDC
- NO contact, PNP output
- M12 x 1 male connector

**Wiring Diagram**



**Functional principle**

Capacitive proximity switches are designed for non-contact and wear-free detection of electrically conductive as well as non-conductive metal objects.

Flush mounting may result in a change of switching behaviour.

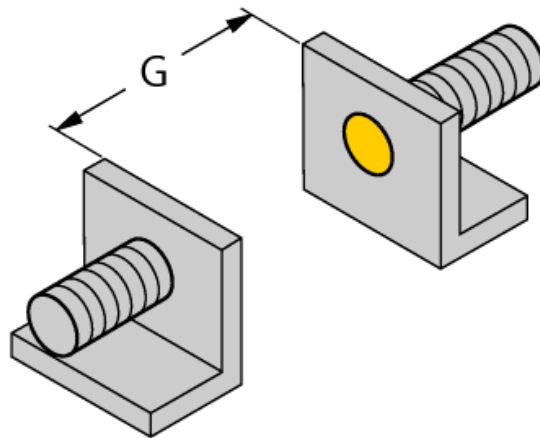
<b>Type designation</b>	BC5-S18-AP4X-H1141/S250
Ident no.	2503602
<b>Rated switching distance (flush)</b>	5 mm
Rated switching distance (non-flush)	5 mm
Secured operating distance	≤ (0.72 × S <sub>n</sub> ) mm
Hysteresis	2...20 %
Temperature drift	type 20 %
Repeat accuracy	≤ 2 % of full scale
Ambient temperature	-25...+70 °C
<b>Operating voltage</b>	10...65 VDC
Residual ripple	≤ 10 % U <sub>s</sub>
DC rated operational current	≤ 200 mA
No-load current I <sub>0</sub>	≤ 15 mA
Residual current	≤ 0.1 mA
Switching frequency	0.1 kHz
Isolation test voltage	≤ 0.5 kV
Output function	3-wire, NO contact, PNP
Short-circuit protection	yes/ Cyclic
Voltage drop at I <sub>0</sub>	≤ 1.8 V
Wire breakage/Reverse polarity protection	yes/ Complete
<b>Approvals</b>	UL
<b>Design</b>	Threaded barrel, M18 × 1
Dimensions	83 mm
Housing material	Plastic, PA12-GF30, PEI
Active area material	Plastic, PA12-GF30, yellow
Admissible pressure on front cap	≤ 6 bar
Max. tightening torque housing nut	2 Nm
Electrical connection	Connector, M12 × 1
Vibration resistance	55 Hz (1 mm)
Shock resistance	30 g (11 ms)
Protection class	IP67
MTTF	1080 years acc. to SN 29500 (Ed. 99) 40 °C
<b>Switching state</b>	LED yellow

**Capacitive sensor  
BC5-S18-AP4X-H1141/S250**

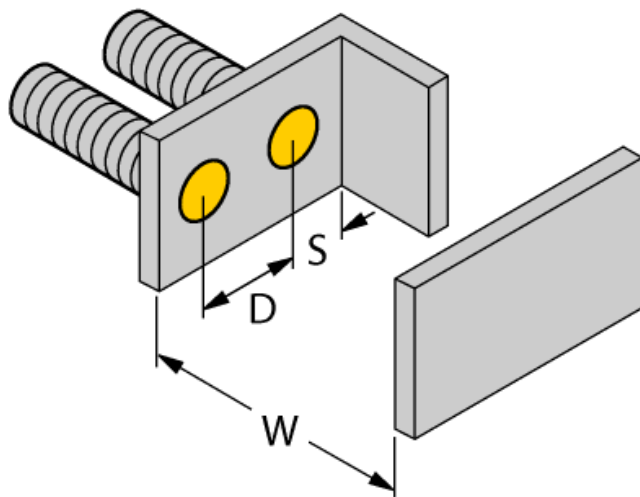
Mounting instructions/Description	minimum distances
Distance D	36 mm
Distance W	15 mm
Distance S	27 mm
Distance G	30 mm

---

<b>Diameter active area B</b>	Ø 18 mm
-------------------------------	---------



The given minimum distances have been checked against the standard switching distance. Should the sensitivity of the sensors be changed via potentiometer, the data sheet specifications no longer apply.



**Capacitive sensor**  
**BC5-S18-AP4X-H1141/S250**

**TURCK**

Industrial  
Automation

**Accessories**

Type code	Ident no.	Description	
BS 18	69471	Mounting bracket for threaded barrel devices; material: PA66-GF	
BSN 18	69472	Fixing clamp; material: PA66-GF	
BST-18B	6947214	Fixing clamp for threaded barrel devices, with dead-stop; material: PA6	
MAP-M18	6950012	Mounting adapter; material: Polypropylene; sensor replacement with filled container possible (adapter remains in container during sensor replacement)	

**Wiring accessories**

Type code	Ident no.	Description	
RKC4.4T-2/TXL	6625503	Connection cable, female M12, straight, 4-pin, cable length: 2 m, sheath material: PUR, black; cULus approval; other cable lengths and qualities available, see <a href="http://www.turck.com">www.turck.com</a>	

**Capacitive sensor**  
**BC5-S18-AP4X-H1141/S250**

**Wiring accessories**

Type code	Ident no.	Description	
WKC4.4T-2/TXL	6625515	Connection cable, female M12, angled, 4-pin, cable length: 2 m, sheath material: PUR, black; cULus approval; other cable lengths and qualities available, see <a href="http://www.turck.com">www.turck.com</a>	
WKC4.4T-2/TEL	6625025	Connection cable, female M12, angled, 4-pin, cable length: 2 m, sheath material: PVC, black; cULus approval; other cable lengths and qualities available, see <a href="http://www.turck.com">www.turck.com</a>	
RKC4.4T-P7X2-10/TXL	6626184	Connection cable, female M12, angled, 4-pin, cable length: 10m, sheath material: PUR, black; cULus approval; other cable lengths and qualities available, see <a href="http://www.turck.com">www.turck.com</a>	