

Product characteristics

Active ClassicLine module

AS-i flat cable connection

Sockets M12 x 1

Version 2.11 and 3.0 with extended addressing mode

Addressing socket

Three orientations of the flat cable are possible

Digital inputs

Electrical data

Electrical design

8 digital inputs (2 slaves)

Operating voltage [V]

26.5...31.6 DC; cULus - Class 2 source required

Total current consumption from AS-i [mA]

< 300

Inputs

digital

Circuit

DC PNP

Sensor supply

AS-i

Voltage range [V]

18...30 DC

Max. current load for all inputs total [mA]

250 (2 x 125)

Input current High/Low [mA]

6...10 / 0...2

Switching level High signal 1 [V]

> 11

Short-circuit proof

yes

Environment

Ambient temperature [°C]

-25...70

Protection

IP 67

Tests / approvals

EMC

EN 50295
IEC 61000-6-2

MTTF [Years]

218

AS-i classification

AS-i version

2.11 + 3.0

Extended addressing mode possible

yes

AS-i profile

S-0.A.E

I/O configuration [hex]

0

ID code [Hex]

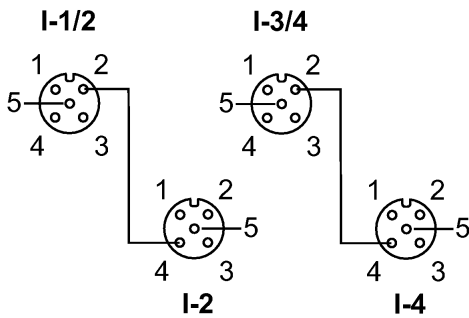
A.E

AC5210 - Active ClassicLine module - eclass: 27259090 / 27-25-90-90

AS-i certificate	89001				
Data bits	Data bit	D0	D1	D2	D3
	Input	1	2	3	4
	Socket	I-1/2	I-1/2 I-2	I-3/4	I-3/4 I-4
	Pin	4	2 4	4	2 4
Mechanical data	PA; Piercing contacts: CuSn6 surface nickel and tin-plated				
Housing materials					
Weight [kg]	0.279				
Displays / operating elements					
Power LED	green				
Error LED	red				
Function display LED	yellow				

Electrical connection

Wiring



- | | |
|---------------------|---------------------|
| 2x: Inputs | Socket I-3/4 |
| Socket I-1/2 | 1: Sensor supply L+ |
| 1: Sensor supply L+ | 2: Data input 4 |
| 2: Data input 2 | 3: Sensor supply L- |
| 3: Sensor supply L- | 4: Data input 3 |
| 4: Data input 1 | 5: not used |
| 5: not used | |
| | Socket I-4 |
| | 1: Sensor supply L+ |
| | 2: not used |
| | 3: Sensor supply L- |
| | 4: Data input 4 |
| | 5: not used |
| | Socket I-2 |
| | 1: Sensor supply L+ |
| | 2: not used |
| | 3: Sensor supply L- |
| | 4: Data input 2 |
| | 5: not used |

Accessories	
Accessories (included)	lower part
Accessories (optional)	M12 protective cap (E73004)
Remarks	
Remarks	Do not connect any of the points I-, I+, I1, I2, I3, I4 to an external potential since they are electrically connected to the AS-i cable. Default setting of the ID1 codes: slave 1=1 / slave 2=2
Pack quantity [piece]	1