

Product characteristics

Active ClassicLine module

AS-i flat cable connection

Sockets M12 x 1

Addressing socket

Three orientations of the flat cable are possible

Digital inputs and outputs

Electrical data

Electrical design

Operating voltage [V]

Total current consumption from AS-i [mA]

Max. current load per module [mA]

Inputs

digital

Circuit

Sensor supply

Voltage range [V]

Max. current load for all inputs total [mA]

Input current High/Low [mA]

Switching level High signal 1 [V]

Short-circuit proof

Outputs

digital

Output function

Voltage range [V]

External voltage supply

Max. current load per output [mA]

Electrically separated

Integrated watchdog

Short-circuit proof

Environment

Ambient temperature [°C]

Protection

Tests / approvals

4 inputs / 4 outputs

26.5...31.6 DC; cULus - Class 2 source required

< 250

2000

DC PNP

AS-i

18...30 DC **)

200

6...10 / 0...2

> 11

yes

transistor PNP

24 DC (15...30 DC) **)

according to PELV

1000*)

yes

yes

yes

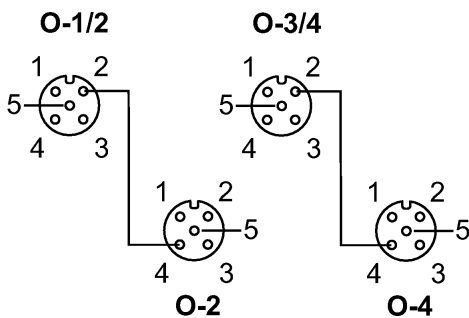
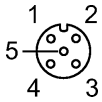
-25...70

IP 67

AC5209 - Active ClassicLine module - eclass: 27259090 / 27-25-90-90

EMC	EN 50295 IEC 61000-6-2																																			
MTTF [Years]	155																																			
AS-i classification																																				
AS-i version	2.11 + 3.0																																			
Extended addressing mode possible	no																																			
AS-i profile	S-7.0.E																																			
I/O configuration [hex]	7																																			
ID code [Hex]	0.E																																			
AS-i certificate	in preparation																																			
Data bits	<table border="1"> <thead> <tr> <th>Data bit</th> <th>D0</th> <th>D1</th> <th>D2</th> <th>D3</th> </tr> </thead> <tbody> <tr> <td>Input</td> <td>1</td> <td>2</td> <td>3</td> <td>4</td> </tr> <tr> <td>Socket</td> <td>I-1</td> <td>I-2</td> <td>I-3</td> <td>I-4</td> </tr> <tr> <td>Pin</td> <td>2+4</td> <td>2+4</td> <td>2+4</td> <td>2+4</td> </tr> <tr> <td>Output</td> <td>1</td> <td>2</td> <td>3</td> <td>4</td> </tr> <tr> <td>Socket</td> <td>O-1/2</td> <td>O-1/2 O2</td> <td>O-3/4</td> <td>O-3/4 O-4</td> </tr> <tr> <td>Pin</td> <td>4</td> <td>2 4</td> <td>4</td> <td>2 4</td> </tr> </tbody> </table>	Data bit	D0	D1	D2	D3	Input	1	2	3	4	Socket	I-1	I-2	I-3	I-4	Pin	2+4	2+4	2+4	2+4	Output	1	2	3	4	Socket	O-1/2	O-1/2 O2	O-3/4	O-3/4 O-4	Pin	4	2 4	4	2 4
Data bit	D0	D1	D2	D3																																
Input	1	2	3	4																																
Socket	I-1	I-2	I-3	I-4																																
Pin	2+4	2+4	2+4	2+4																																
Output	1	2	3	4																																
Socket	O-1/2	O-1/2 O2	O-3/4	O-3/4 O-4																																
Pin	4	2 4	4	2 4																																
Mechanical data																																				
Housing materials	PA; Piercing contacts: CuSn6 surface nickel and tin-plated																																			
Weight [kg]	0.304																																			
Displays / operating elements																																				
Power LED	green																																			
Error LED	red																																			
Function display LED	yellow																																			
Electrical connection																																				

Wiring



Inputs

- 1: Sensor supply L+
- 2+4: Data input (internally bridged)
- 3: Sensor supply L-
- 5: not used

Outputs

- | | |
|-------------------------|---------------------------|
| Socket O-1/2 | Socket O-3/4 |
| 1: not used | 1: not used |
| 2: Switching output 2 | 2: Switching output 4 |
| 3: External voltage AUX | 3: External voltage AUX - |
| - | 4: Switching output 3 |
| 4: Switching output 1 | 5: not used |
| 5: not used | |
| | Socket O-4 |
| Socket O-2 | 1: not used |
| 1: not used | 2: not used |
| 2: not used | 3: External voltage AUX - |
| 3: External voltage AUX | 4: Switching output 4 |
| - | |
| 4: Switching output 2 | |
| 5: not used | |

Accessories	
Accessories (included)	lower part
Accessories (optional)	M12 protective cap (E73004)
Remarks	
Remarks	<p>*) Utilisation category (DC13): The switch-on and switch-off capacity for the triggering of solenoids is rated up to 20 W (to IEC 60947-5-1)</p> <p>**) via flat cable</p> <p>Inputs and outputs must be electrically isolated.</p> <p>Do not connect any of the points I-, I+, I1, I2, I3, I4 to an external potential since they are electrically connected to the AS-i cable.</p>
Pack quantity [piece]	1