

Product characteristics

Active ClassicLine module	
AS-i flat cable connection	
Sockets M12 x 1	
Addressing socket	
Three orientations of the flat cable are possible	
Digital outputs	
Electrical data	
Electrical design	4 outputs
Operating voltage [V]	26.5...31.6 DC; cULus - Class 2 source required
Total current consumption from AS-i [mA]	< 50
Max. current load per module [mA]	2000
Outputs	
digital	
Output function	transistor PNP
Voltage range [V]	24 DC (15...30 DC **)
External voltage supply	according to PELV
Max. current load per output [mA]	1000 *)
Electrically separated	yes
Integrated watchdog	yes
Short-circuit proof	yes
Environment	
Ambient temperature [°C]	-25...70
Protection	IP 67
Tests / approvals	
EMC	EN 50295 IEC 61000-6-2
MTTF [Years]	211
AS-i classification	
AS-i version	2.11 + 3.0
Extended addressing mode possible	no
AS-i profile	S-8.0.E
I/O configuration [hex]	8
ID code [Hex]	0.E
AS-i certificate	in preparation
Data bits	<b>Data bit      D0                  D1                  D2                  D3</b>

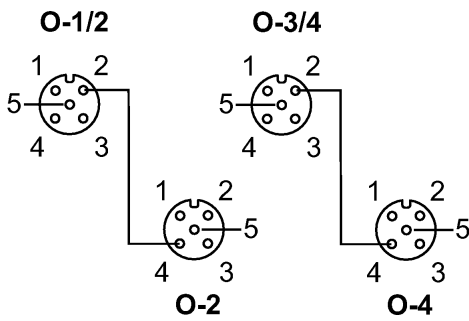
**AC5208 - Active ClassicLine module - eclass: 27259090 / 27-25-90-90**

Output	1	2	3	4
Socket	O-1/2	O1/2 O-2	O-3/4	O-3/4 O-4
Pin	4	2 4	4	2 4

Mechanical data	
Housing materials	PA; Piercing contacts: CuSn6 surface nickel and tin-plated
Weight [kg]	0.181
Displays / operating elements	
Power LED	green
Error LED	red
Function display LED	yellow

**Electrical connection**

**Wiring**



Outputs	Socket O-3/4
Socket O-1/2	1: not used
1: not used	2: Switching output 4
2: Switching output 2	3: External voltage AUX -
3: External voltage	4: Switching output 3
AUX -	5: not used
4: Switching output 1	
5: not used	
	Socket O-4
Socket O-2	1: not used
1: not used	2: not used
2: not used	3: External voltage AUX -
3: External voltage	4: Switching output 4
AUX -	5: not used
4: Switching output 2	
5: not used	

Accessories	
Accessories (included)	lower part
Accessories (optional)	M12 protective cap (E73004)
Remarks	
Remarks	*) Utilisation category (DC13): The switch-on and switch-off capacity for the triggering of solenoids is rated up to 20 W (to IEC 60947-5-1) **) via flat cable
Pack quantity [piece]	1