

Product characteristics

Active ClassicLine module

AS-i flat cable connection

Sockets M12 x 1

Addressing socket

Three orientations of the flat cable are possible

Version 2.11 and 3.0 with extended addressing mode

Digital inputs and outputs

Electrical data

Electrical design

4 inputs / 3 outputs

Operating voltage [V]

26.5...31.6 DC; cULus - Class 2 source required

Total current consumption from AS-i [mA]

< 250

Max. current load per module [mA]

3000

Inputs

digital

Circuit

DC PNP

Sensor supply

AS-i

Voltage range [V]

18...30 DC **)

Max. current load for all inputs total [mA]

200

Input current High/Low [mA]

6...10 / 0...2

Switching level High signal 1 [V]

> 11

Short-circuit proof

yes

Outputs

digital

Output function

transistor PNP

Voltage range [V]

24 DC (15...30 DC) **)

External voltage supply

according to PELV

Max. current load per output [mA]

1000*

Electrically separated

yes

Integrated watchdog

yes

Short-circuit proof

yes

Environment

Ambient temperature [°C]

-25...70

Protection

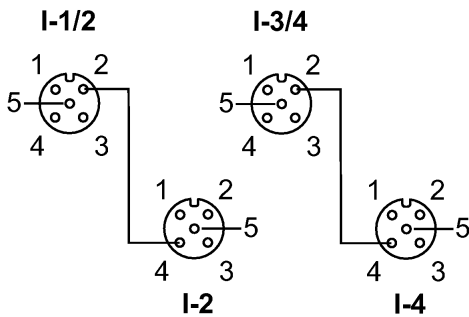
IP 67

AC5204 - Active ClassicLine module - eclass: 27259090 / 27-25-90-90

Tests / approvals

EMC	EN 50295 IEC 61000-6-2																																			
MTTF [Years]	162																																			
AS-i classification																																				
AS-i version	2.11 + 3.0																																			
Extended addressing mode possible	yes																																			
AS-i profile	S-7.A.E																																			
I/O configuration [hex]	7																																			
ID code [Hex]	A.E																																			
AS-i certificate	in preparation																																			
Data bits	<table border="1"> <thead> <tr> <th>Data bit</th> <th>D0</th> <th>D1</th> <th>D2</th> <th>D3</th> </tr> </thead> <tbody> <tr> <td>Input</td> <td>1</td> <td>2</td> <td>3</td> <td></td> </tr> <tr> <td>Socket</td> <td>I-1/2</td> <td>I-1/2 I-2</td> <td>I-3/4</td> <td>I-3/4 I-4</td> </tr> <tr> <td>Pin</td> <td>4</td> <td>2 4</td> <td>4</td> <td>2 4</td> </tr> <tr> <td>Output</td> <td>1</td> <td>2</td> <td>3</td> <td>-</td> </tr> <tr> <td>Socket</td> <td>O-1/2</td> <td>O-1/2 O-2</td> <td>O-3</td> <td>-</td> </tr> <tr> <td>Pin</td> <td>4</td> <td>2 4</td> <td>4</td> <td>-</td> </tr> </tbody> </table>	Data bit	D0	D1	D2	D3	Input	1	2	3		Socket	I-1/2	I-1/2 I-2	I-3/4	I-3/4 I-4	Pin	4	2 4	4	2 4	Output	1	2	3	-	Socket	O-1/2	O-1/2 O-2	O-3	-	Pin	4	2 4	4	-
Data bit	D0	D1	D2	D3																																
Input	1	2	3																																	
Socket	I-1/2	I-1/2 I-2	I-3/4	I-3/4 I-4																																
Pin	4	2 4	4	2 4																																
Output	1	2	3	-																																
Socket	O-1/2	O-1/2 O-2	O-3	-																																
Pin	4	2 4	4	-																																
Mechanical data																																				
Housing materials	PA; Piercing contacts: CuSn6 surface nickel and tin-plated																																			
Weight [kg]	0.304																																			
Displays / operating elements																																				
Power LED	green																																			
Error LED	red																																			
Function display LED	yellow																																			

Wiring



Inputs

Socket I-1/2

1: Sensor supply L+

2: Data input 2

3: Sensor supply L-

4: Data input 1

5: not used

Socket I-3/4

1: Power supply L+

2: Data input 4

3: Sensor supply L-

4: Data input 3

5: not used

Socket I-2

1: Sensor supply L+

2: not used

3: Sensor supply L-

4: Data input 2

5: not used

Socket I-4

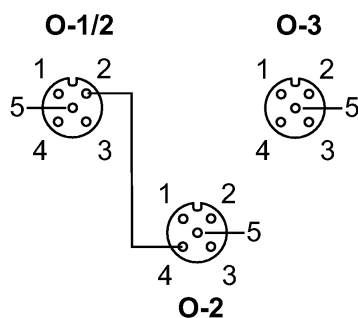
1: Sensor supply L+

2: not used

3: Sensor supply L-

4: Data input 4

5: not used



Outputs

Socket O-1/2

1: not used

2: Switching output 2

3: External voltage AUX -

4: Switching output 1

5: not used

Socket O-3

1: not used

2: not used

3: External voltage AUX -

4: Switching output 3

5: not used

Socket O-2

1: not used

2: not used

3: External voltage AUX -

4: Switching output 2

AC5204 - Active ClassicLine module - eclass: 27259090 / 27-25-90-90

5: not used	
Accessories	
Accessories (included)	lower part
Accessories (optional)	M12 protective cap (E73004)
Remarks	<p>*) Utilisation category (DC13): The switch-on and switch-off capacity for the triggering of solenoids is rated up to 20 W (to IEC 60947-5-1) Inputs and outputs must be electrically isolated. **) via flat cable Do not connect any of the points I-, I+, I1, I2, I3, I4 to an external potential since they are electrically connected to the AS-i cable.</p>
Pack quantity	1