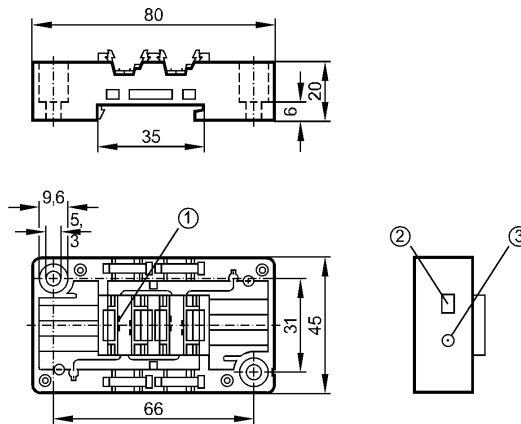




EMS-Base FC Addressing socket

AS-Interface bus system



- 1: contact pins
- 2: label
- 3: Addressing socket



Product characteristics

Module lower part flat cable

Mounting on DIN rail and panel

Quick mounting technology for AS-i flat cable
with addressing plug

AS-i interface to module upper part

Electrical data

Electrical design

FC coupling module

Operating voltage [V]

26.5...31.6 DC

Environment

Ambient temperature [°C]

-25...85

Protection

IP 67; IP 20 / IP 65 / IP 67 depending on the upper part used

Mechanical data

Housing materials

PBT (Pocan)

Weight [kg]

0.06

Electrical connection

Connection

via contact pins in the unit

Contact rating

< 2 A

Remarks

Pack quantity [piece]

1