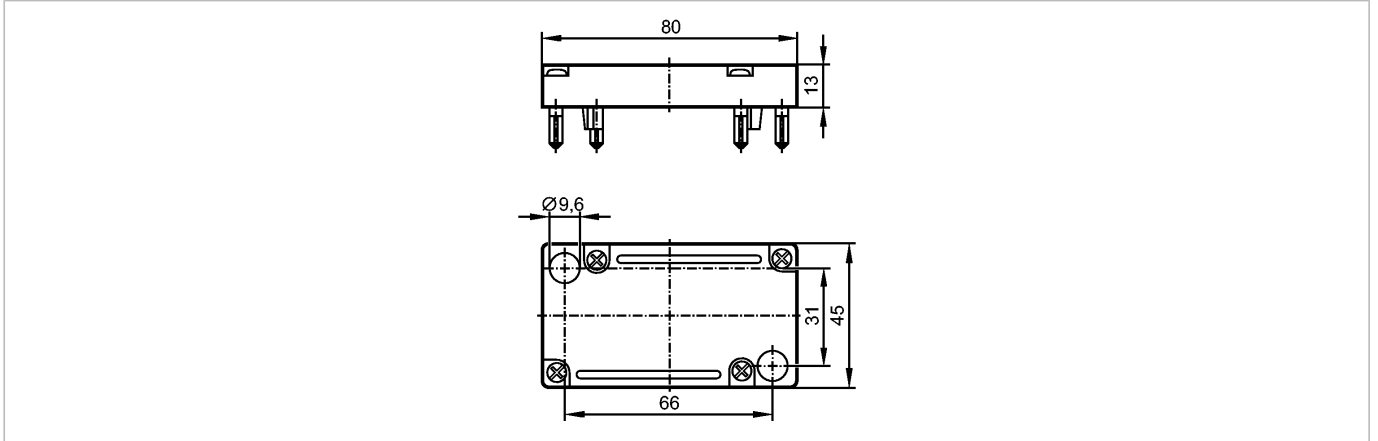




AS-i module cover

AS-Interface bus system



Product characteristics

Use of the lower part as branching box

Mechanical data

Housing materials

plastics

Weight [kg]

0.054

Remarks

Pack quantity [piece]

1